



General Specifications:

The Amico Dual Outlet combines two Front Latch Valve Assemblies into a single compact design. The Amico Dual Outlet saves space, reduces construction cost and ensures healthcare providers always have the right connection.

A large color coded front plate shall be used for ease of gas identification and aesthetic appeal.

The Dual Outlet shall only accept corresponding gas specific adapters and pin indexed to fit into its respective gas specific rough-in.

All outlets shall be cleaned and degreased for medical gas service, factory assembled and tested.

Amico products comply with NFPA-99 and CSA.

Note:

The Amico Dual Outlet is recommended to be used with 3/8" ID (nominal) rough-ins.

Features:

Flow rate exceeds the requirements of NFPA and CSA.

Accepts only gas specific adapters

Indexed to eliminate interchangeability of gas services

Up to 1" [25mm] wall thickness adjustment

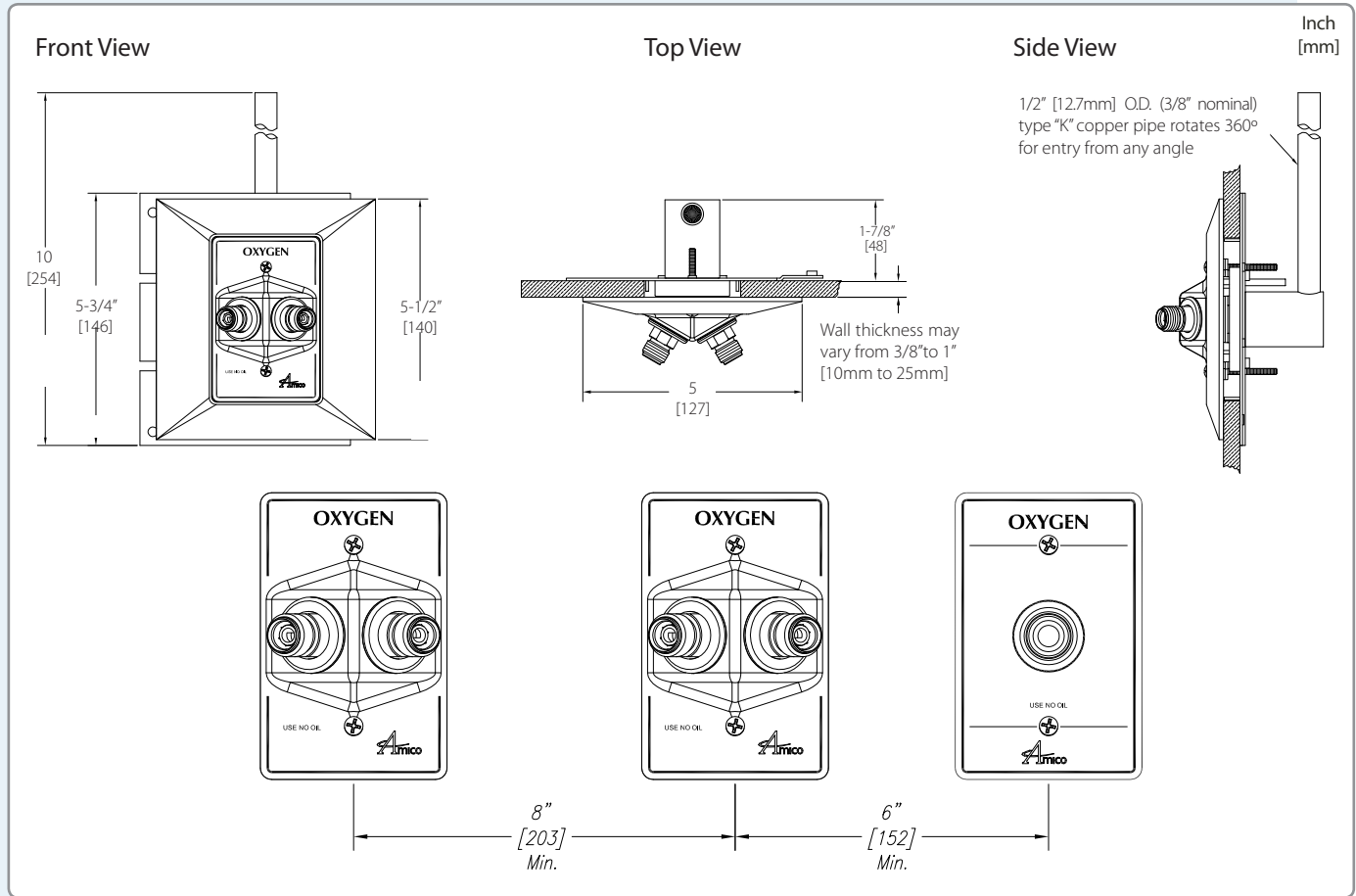
Outlets are also available for M.R.I use

2 in 1 Outlet design

Various combinations using Ohmeda, Chemetron and DISS connections

Project

Technical Specifications



Model Numbers

The Letter "X" Defines the Left Side Connection Options:

DISS = D
 Ohmeda Connection = Q
 Chemetron = C

The Letter "Y" Defines the Right Side Connection Options:

DISS = D
 Ohmeda Connection = Q
 Chemetron = C

Dual Outlet (front only):

Outlet
 Dual

The Letters "ZZZ" Defines the Rough-In Type:

Amico Double Pin Indexing = FAC
 Amico Single Pin Indexing = FPC

O-DZZZ-XY-L-GAS

The Letter "L" Defines the Language:

English (NFPA) = U
 Spanish (NFPA) = SU

The Word "GAS" Defines the Type of Gas:

Oxygen = OXY
 Medical Air = AIR

QTY.1 **O-BAKW-L-XXX**

(Rough-in Assembly)

QTY.1 **O-TRIM-M500C**

(Trim Plate)

Amico Corporation 85 Fulton Way, Richmond Hill, ON L4B 2N4, Canada | 71 East Industry Court, Deer Park, NY 11729, USA
 Toll Free Tel: 1.877.462.6426 | Toll Free Fax: 1.866.440.4986 Tel: 905.764.0800 | Fax: 905.764.0862