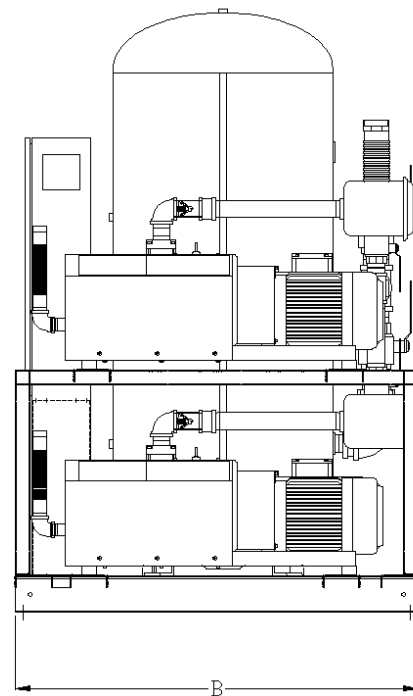
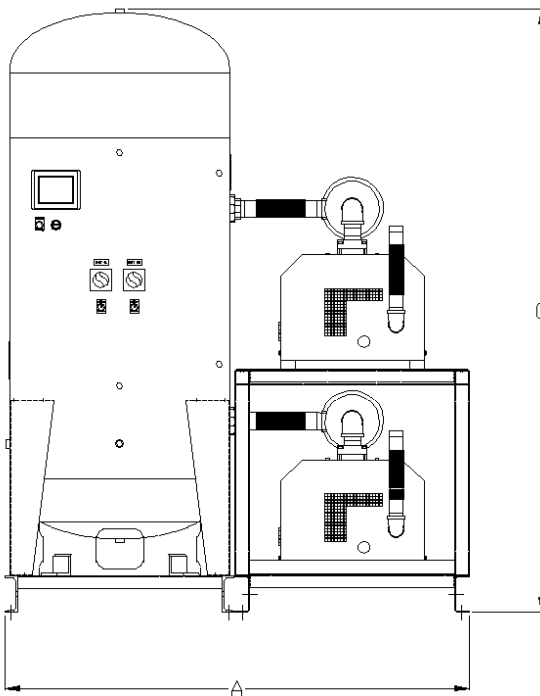
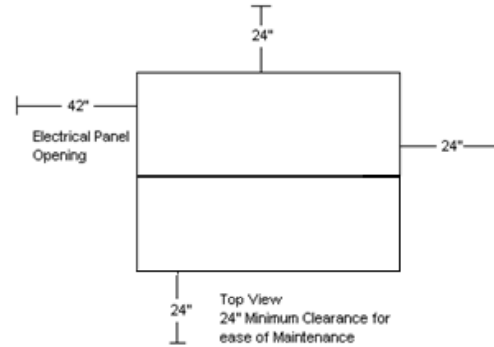


Claw Vacuum Package with HMI/PBMI

Rev. 3/22/13

DIMENSIONS					
MODEL	DIM. A	DIM. B	DIM. C	Inlet	Outlet (X2)
CVPD0504A	66"	55"	76"	2"	1"
CVPD0504B	66"	55"	76"	2"	1"
CVPD0754A	66"	55"	76"	2"	1"
CVPD0754B	66"	55"	76"	2"	1"
CVPD1005	66"	57"	83"	3"	2"



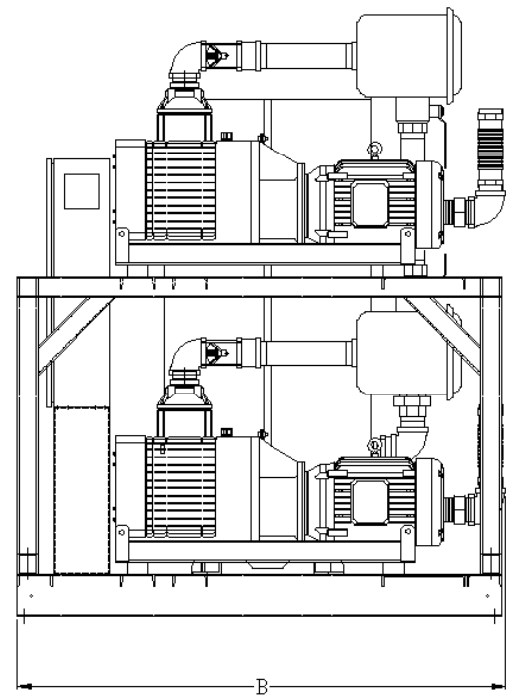
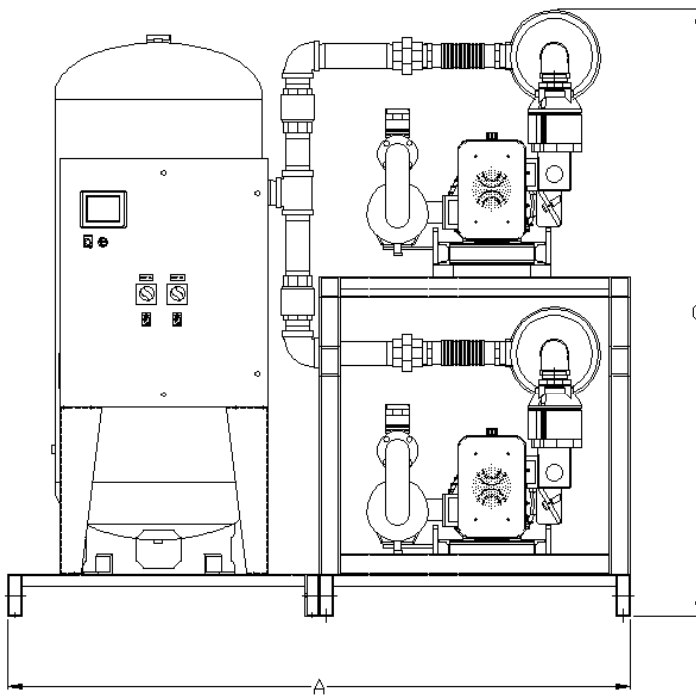
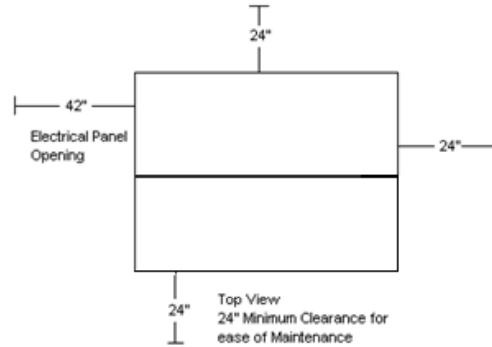
Claw Vacuum Package											
MODEL	Old HP	New HP	SCFM @ 19" Hg Each	NFA System Capacity ¹	TANK SIZE (Gal.)	BTU/HR ²	dB(A) ³ LEVEL	SYSTEM F.L.A.			SYSTEM WT. (LBS.)
								208V	230V	460V	
CVPD0504A	5 (2)	5 (2)	29	29	120 V	8,670	79	27.2	26.2	14.1	2,200
CVPD0504B	5.4 (2)	6.4 (2)	38	38	120 V	11,271	79	27.2	33	17.5	2,250
CVPD0754A	6.4 (2)	7.0 (2)	52	52	120 V	12,572	79	40	35.2	18.6	2,550
CVPD0754B	7.4 (2)	9.1 (2)	65	65	120 V	15,173	79	40	47.2	24.6	2,700
CVPD1005	8.7 (2)	10 (2)	87	87	200 V	21,675	83	54.8	49.6	25.8	3,100

- Notes:
- 1- System Capacity is shown with one or more pumps in reserve per NFPA 99
 - 2 - BTU/HR Levels are shown with reserve pump(s) on standby
 - 3 - dB(A) is shown with one pump in reserve per NFPA 99
 - 4 - 3 Year Limited Warranty

Claw Vacuum Package with HMI/PBMI

Rev. 7/25/12

DIMENSIONS					
MODEL	DIM. A	DIM. B	DIM. C	Inlet	Outlet
CVPD1505	90"	71"	88"	3"	3"



MODEL	HP	SCFM @ 19" Hg Each	NFPA System Capacity ¹	TANK SIZE (Gal.)	BTU/HR ²	dB(A) ₃ LEVEL	SYSTEM F.L.A.			SYSTEM WT. (LBS.)
							208V	230V	460V	
CVPD1505	15 (2)	129	129	200V	38,175	85	78	72	37	3,400

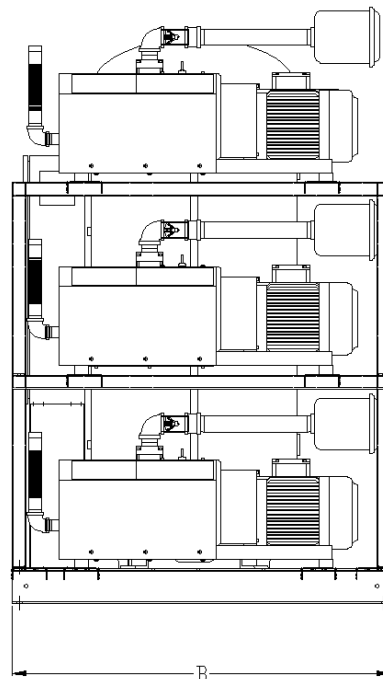
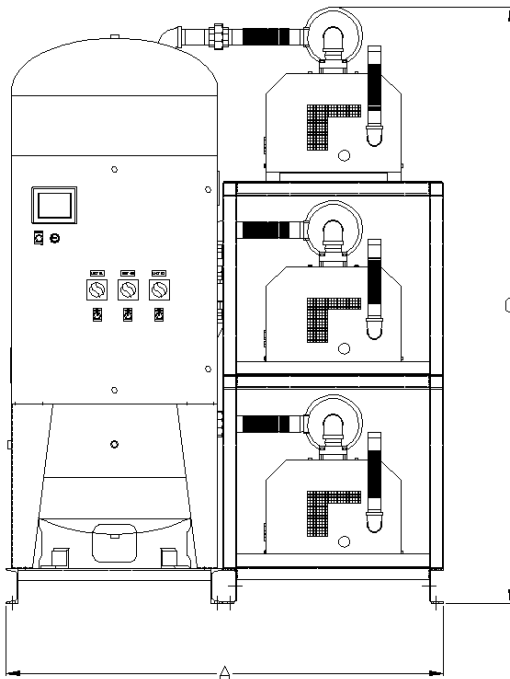
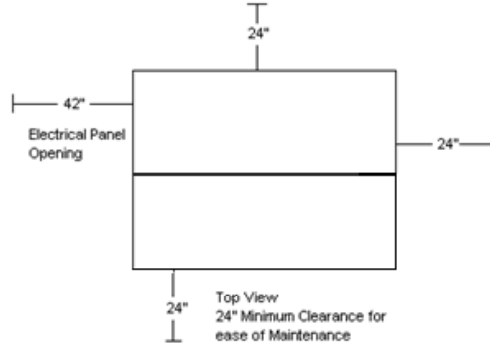
- Notes:
- 1- System Capacity is shown with one or more pumps in reserve per NFPA 99
 - 2 - BTU/HR Levels are shown with reserve pump(s) on standby
 - 3 - dB(A) is shown with one pump in reserve per NFPA 99
 - 4 - 3 Year Limited Warranty



Claw Vacuum Package with HMI/PBMI

Rev. 03/22/13

DIMENSIONS					
MODEL	DIM. A	DIM. B	DIM. C	Inlet	Outlet (X3)
CVPT0504A	66"	55"	85"	2"	1"
CVPT0504B	66"	55"	85"	2"	1"
CVPT0755A	66"	55"	87"	2"	1"
CVPT0755B	66"	55"	87"	2"	1"



Claw Vacuum Package with HMI/PBMI

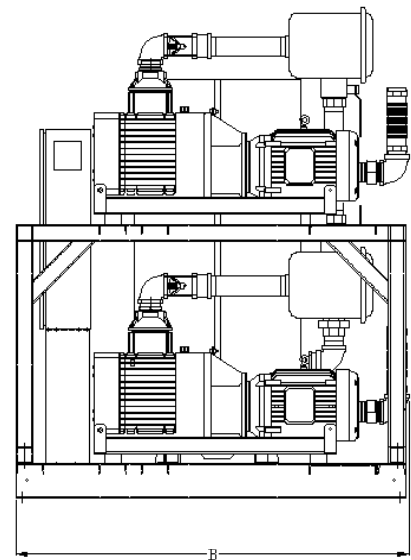
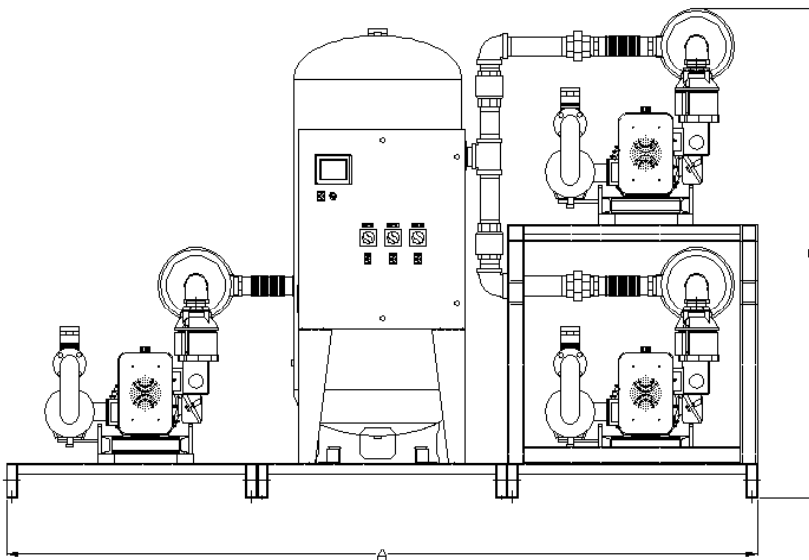
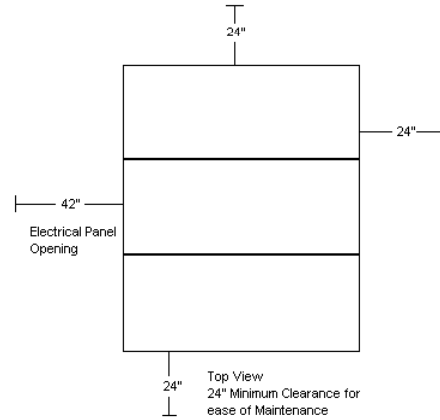
MODEL	Old HP	New HP	SCFM @ 19" Hg Each	NFPA System Capacity ¹	TANK SIZE (Gal.)	BTU/HR ²	dB(A) ³ LEVEL	SYSTEM F.L.A.			SYSTEM WT. (LBS.)
								208V	230V	460V	
CVPT0504A	5 (3)	5 (3)	29	58	120V	17,340	82	39.8	38.3	20.2	2,750
CVPT0504B	5.4 (3)	6.4 (3)	38	76	120V	22,542	82	39.8	48.5	25.2	2,900
CVPT0755A	6.4 (3)	7.0 (3)	52	104	200V	25,144	82	59	51.8	26.9	3,650
CVPT0755B	7.4 (3)	9.1 (3)	65	130	200V	30,346	82	59	69.8	35.9	3,850

- Notes:
- 1 - System Capacity is shown with one or more pumps in reserve per NFPA 99
 - 2 - BTU/HR Levels are shown with reserve pump(s) on standby
 - 3 - dB(A) is shown with one pump in reserve per NFPA 99
 - 4 - 3 Year Limited Warranty

Claw Vacuum Package with HMI/PBMI

Rev. 03/22/13

DIMENSIONS					
MODEL	DIM. A	DIM. B	DIM. C	Inlet	Outlet (X3)
CVPT1005	98"	57"	83"	3"	2"
CVPT1505	135"	70"	88"	4"	3"



Claw Vacuum Package with HMI/PBMI											
MODEL	Old HP	New HP	SCFM @ 19" Hg Each	NFPA System Capacity ¹	TANK SIZE (Gal.)	BTU/HR ²	dB(A) ³ LEVEL	SYSTEM F.L.A.			SYSTEM WT. (LBS.)
								208V	230V	460V	
CVPT1005	8.7 (3)	10 (3)	87	174	200V	43,350	86	81.2	73.4	37.7	4,150
CVPT1505	15 (3)	15 (3)	129	258	200V	76,350	88	116	107	54.5	4,550

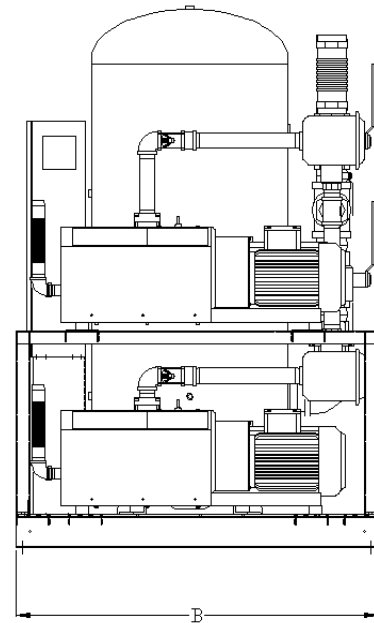
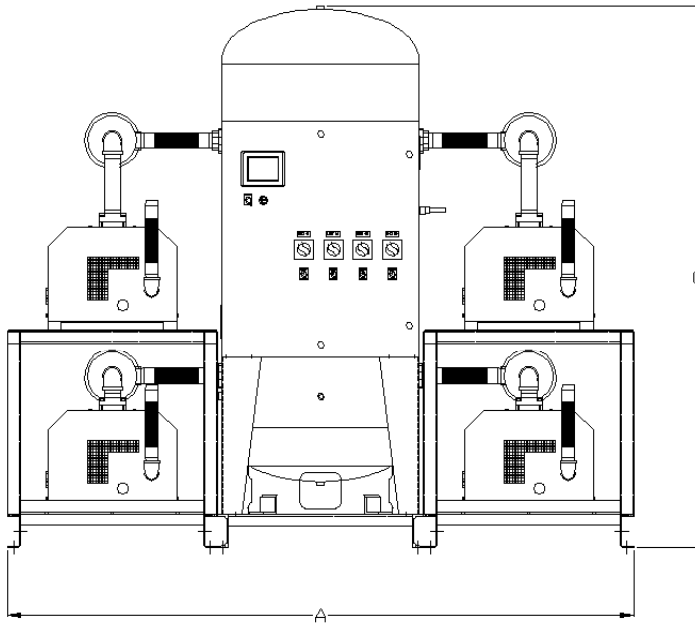
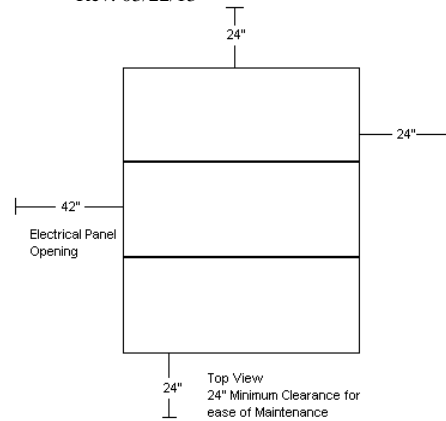
- Notes:
- 1- System Capacity is shown with one or more pumps in reserve per NFPA 99
 - 2- BTU/HR Levels are shown with reserve pump(s) on standby
 - 3- dB(A) is shown with one pump in reserve per NFPA 99
 - 4- 3 Year Limited Warranty



Claw Vacuum Package with HMI/PBMI

Rev. 03/22/13

DIMENSIONS					
MODEL	DIM. A	DIM. B	DIM. C	Inlet	Outlet (X2)
CVPQ0505A	98"	55"	83"	3"	1"
CVPQ0505B	98"	55"	83"	3"	1"
CVPQ0755A	98"	55"	83"	3"	1"
CVPQ0755B	98"	55"	83"	3"	1"
CVPQ1005	98"	60"	83"	4"	2"



Claw Vacuum Package with HMI/PBMI											
MODEL	Old HP	New HP	SCFM @ 19" Hg Each	NFPA System Capacity ¹	TANK SIZE (Gal.)	BTU/HR ²	dB(A) ³ LEVEL	SYSTEM F.L.A.			SYSTEM WT. (LBS.)
								208V	230V	460V	
CVPQ0505A	5 (4)	5 (4)	29	87	200 V	26,010	84	52.4	50.4	26.2	3,500
CVPQ0505B	5.4 (4)	6.4 (4)	38	114	200V	33,813	84	52.4	64	33	3,600
CVPQ0755A	6.4 (4)	7.0 (4)	52	156	200V	37,716	84	78	68.4	35.2	4,300
CVPQ0755B	7.4 (4)	9.1 (4)	65	195	200V	45,519	84	78	92.4	47.2	4,500
CVPQ1005	8.7 (4)	10 (4)	87	261	200V	65,025	88	107.6	97.2	49.6	4,900

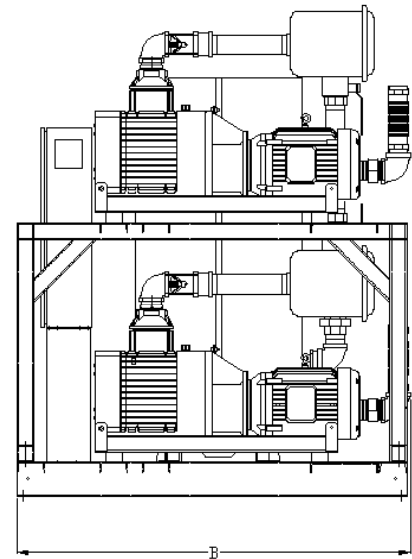
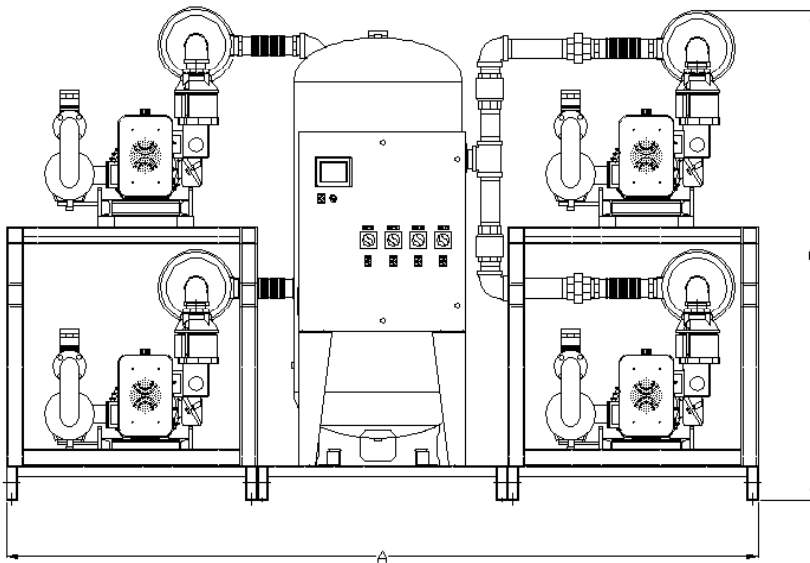
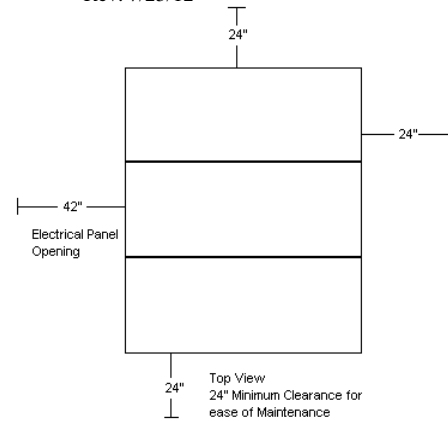
Notes:

- 1- System Capacity is shown with one or more pumps in reserve per NFPA 99
- 2 - BTU/HR Levels are shown with reserve pump(s) on standby
- 3 - dB(A) is shown with one pump in reserve per NFPA 99
- 4 - 3 Year Limited Warranty

Claw Vacuum Package with HMI/PBMI

Rev. 7/25/12

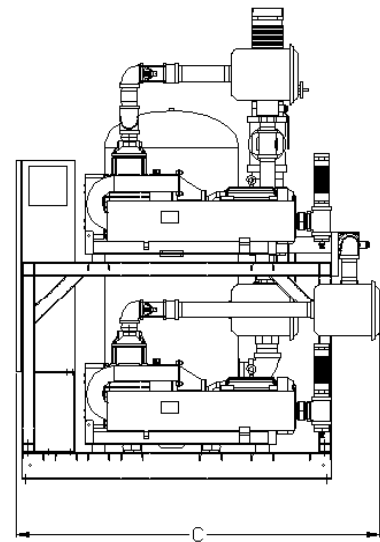
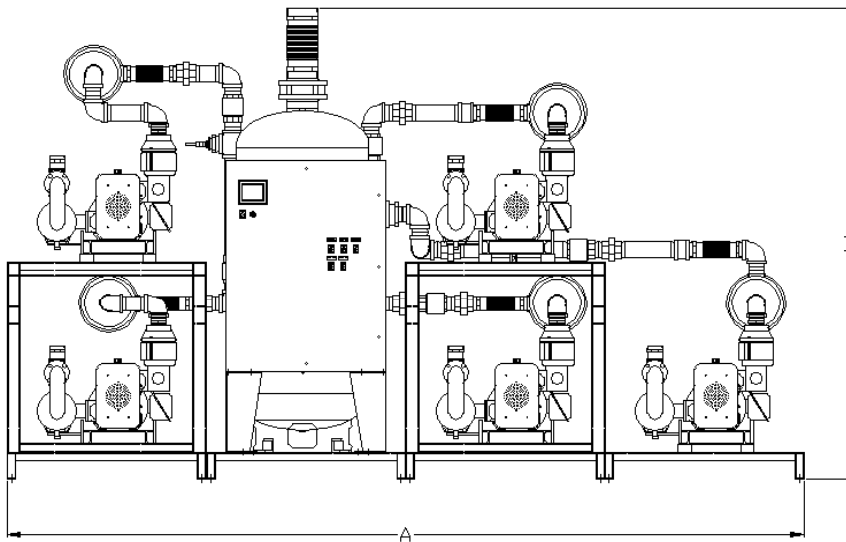
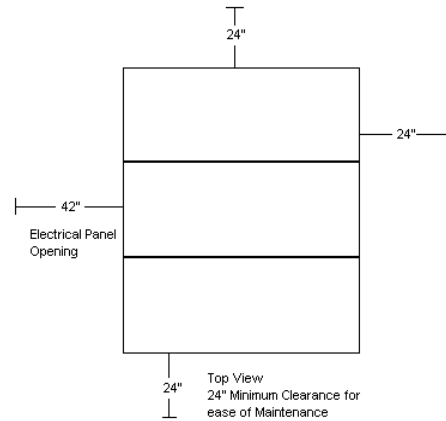
DIMENSIONS					
MODEL	DIM. A	DIM. B	DIM. C	Inlet	Outlet
CVPQ1505	135"	71"	88"	4"	3"



Claw Vacuum Package with HMI/PBMI										
MODEL	HP	SCFM @ 19" Hg Each	NFPA System Capacity ¹	TANK SIZE (Gal.)	BTU/HR ²	dB(A) ³ LEVEL	SYSTEM F.L.A.			SYSTEM WT. (LBS.)
							208V	230V	460V	
CVPQ1505	15 (4)	129	387	200V	114,525	90	154	142	72	5,400

- Notes:
- 1 - System Capacity is shown with one or more pumps in reserve per NFPA 99
 - 2 - BTU/HR Levels are shown with reserve pump(s) on standby
 - 3 - dB(A) is shown with one pump in reserve per NFPA 99
 - 4 - 3 Year Limited Warranty

DIMENSIONS					
MODEL	DIM. A	DIM. B	DIM. C	Inlet	Outlet (x5)
CVPP1505	180"	83"	107"	6"	3"



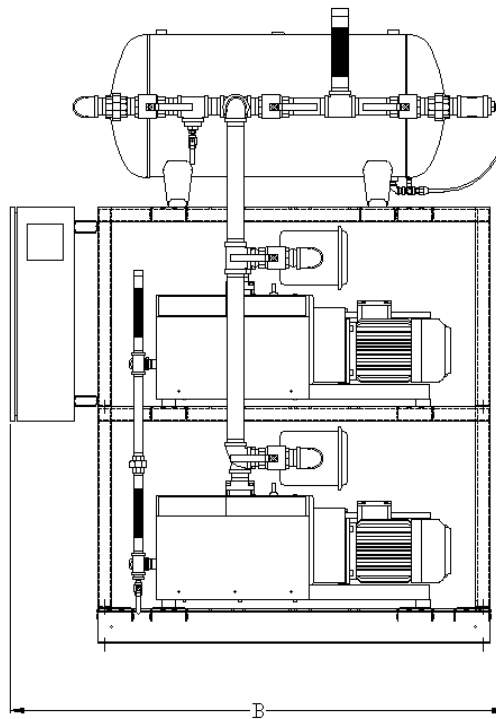
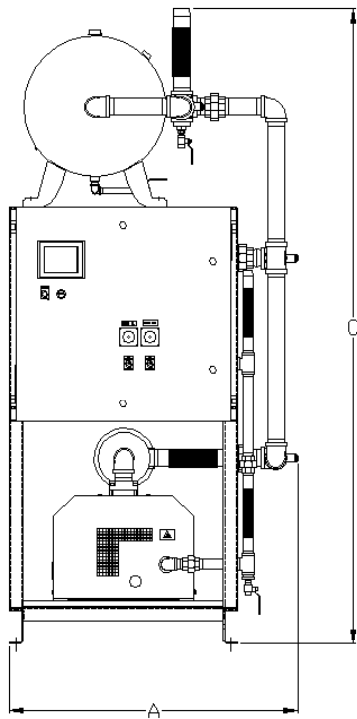
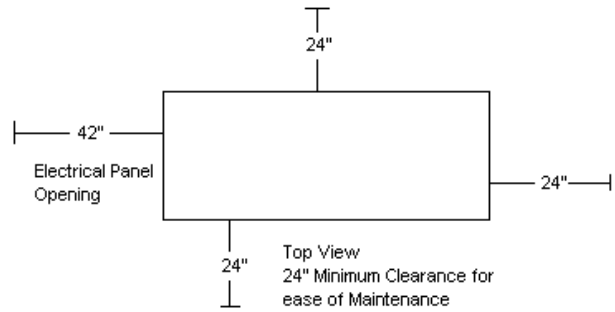
Claw Vacuum Package											
MODEL	HP	SCFM @ 19" Hg Each	NFPA System Capacity ¹	TANK SIZE (Gal.)	BTU/HR ²	dB(A) ³ LEVEL	SYSTEM F.L.A.			SYSTEM WT. (LBS.)	
							208V	230V	460V		
CVPP1505	15 (5)	129	516	200V	152,700	91	192	177	89.5	8,500	

- Notes:
- 1 - System Capacity is shown with one or more pumps in reserve per NFPA 99
 - 2 - BTU/HR Levels are shown with reserve pump(s) on standby
 - 3 - dB(A) is shown with one pump in reserve per NFP A99
 - 4 - 3 Year Limited Warranty

Claw Vacuum Tankmount Duplex with HMI/PBMI

Rev. 9/19/12

DIMENSIONS					
MODEL	DIM. A	DIM. B	DIM. C	Inlet	Outlet
CVPDT0502A	40"	70"	89"	2"	1"
CVPDT0502B	40"	70"	89"	2"	1"
CVPDT0752A	41"	70"	89"	2"	1"
CVPDT0752B	41"	70"	89"	2"	1"



Claw Vacuum Tankmount - with HMI/PBMI											
MODEL	HP	SCFM @ 19" Hg Each	NFPA System Capacity ¹	TANK SIZE (Gal.)	BTU/HR ²	dB(A) ³ LEVEL	SYSTEM F.L.A.			SYSTEM WT. (LBS.)	
							208V	230V	460V		
CVPDT0502A	5 (2)	29	29	60	12,725	79	27.2	26.2	14.1	1,860	
CVPDT0502B	6.4 (2)	38	38	60	16,288	79	27.2	33	17.5	1,910	
CVPDT0752A	7.0 (2)	52	52	60	17,815	79	40	35.2	18.6	2,130	
CVPDT0502B	9.1 (2)	65	65	60	23,160	79	40	47.2	24.6	2,145	

- Notes:
- 1- System Capacity is shown with one or more pumps in reserve per NFPA 99
 - 2- BTU/HR Levels are shown with reserve pump(s) on standby
 - 3- dB(A) is shown with one pump in reserve per NFPA 99
 - 4- 3 Year Limited Warranty