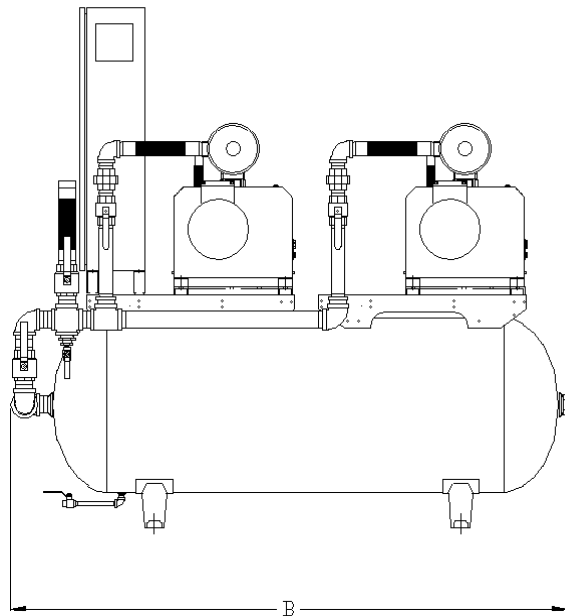
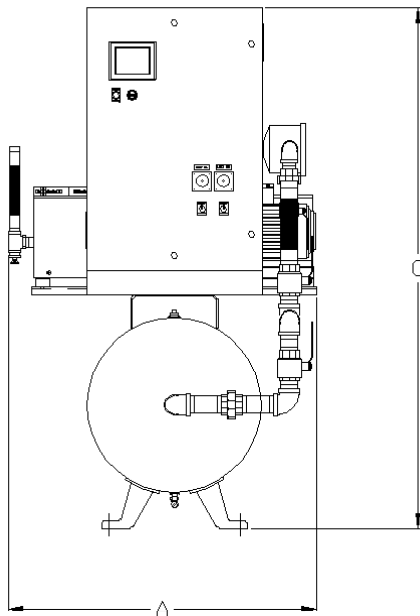
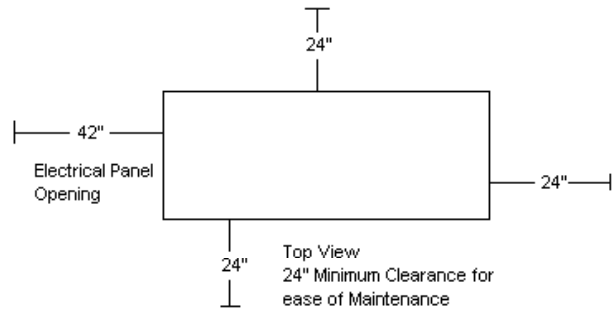




Claw Vacuum Tankmount Duplex with HMI/PBMI

Rev. 7/25/12

DIMENSIONS					
MODEL	DIM. A	DIM. B	DIM. C	Inlet	Outlet
CVTD0203	42"	71"	68"	1-1/2"	1"
CVTD0303	42"	71"	68"	1-1/2"	1"
CVTD0504A	43"	77"	72"	2"	1"
CVTD0504B	43"	77"	72"	2"	1"



Claw Vacuum Tankmount with HMI/PBMI										
MODEL	HP	SCFM @ 19" Hg Each	NFPA System Capacity ¹	TANK SIZE (Gal.)	BTU/HR ²	dB(A) ³ LEVEL	SYSTEM F.L.A.			SYSTEM WT. (LBS.)
							208V	230V	460V	
CVTD0203	2 (2)	16	16	80H	5,854	70	19	15.3	8.6	1,000
CVTD0303	3 (2)	21	21	80H	8,144	70	19	20.6	11.3	1,200
CVTD0504A	5 (2)	29	29	120H	12,725	79	27.2	26.2	14.1	1,400
CVTD0504B	5.4 (2)	38	38	120H	16,288	79	27.2	33	17.5	1,460

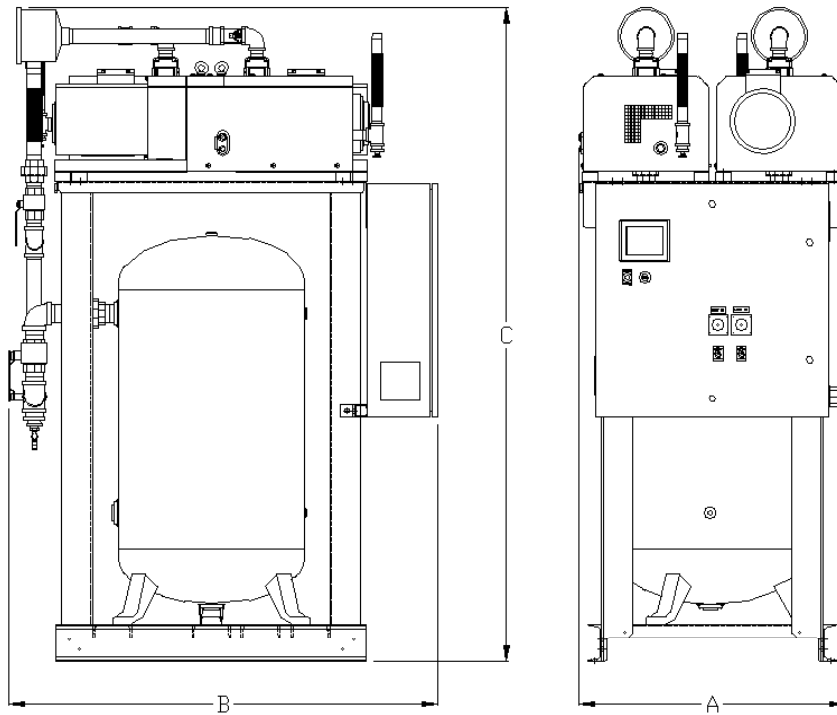
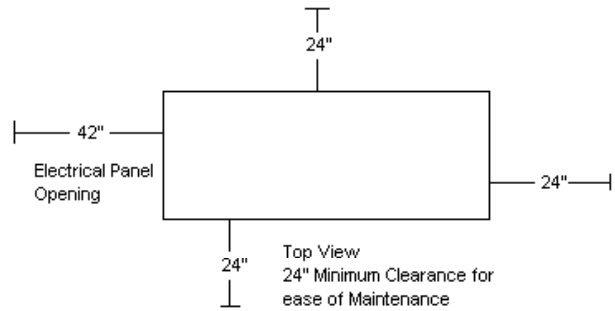
- Notes:
- 1- System Capacity is shown with one or more pumps in reserve per NFPA 99
 - 2- BTU/HR Levels are shown with reserve pump(s) on standby
 - 3- dB(A) is shown with one pump in reserve per NFPA 99
 - 4- 3 Year Limited Warranty



Claw Vacuum Tankmount Duplex with HMI/PBMI

Rev. 7/25/12

DIMENSIONS					
MODEL	DIM. A	DIM. B	DIM. C	Inlet	Outlet
CVTD0203V	35"	56"	82"	1-1/2"	1"
CVTD0303V	35"	56"	82"	1-1/2"	1"
CVTD0504AV	35"	56"	85"	2"	1"
CVTD0504BV	35"	56"	85"	2"	1"



Claw Vacuum Tankmount with HMI/PBMI										
MODEL	HP	SCFM @ 19" Hg Each	NFPA System Capacity ¹	TANK SIZE (Gal.)	BTU/HR ²	dB(A) ³ LEVEL	SYSTEM F.L.A.			SYSTEM WT. (LBS.)
							208V	230V	460V	
CVTD0203V	2 (2)	16	16	80V	5,854	70	19	15.3	8.6	1,300
CVTD0303V	3 (2)	21	21	80V	8,144	70	19	20.6	11.3	1,520
CVTD0504AV	5 (2)	29	29	120 V	12,725	79	27.2	26.2	14.1	1,650
CVTD0504BV	5.4 (2)	38	38	120V	16,288	79	27.2	33	17.5	1,720

- Notes:
- 1- System Capacity is shown with one or more pumps in reserve per NFPA 99
 - 2- BTU/HR Levels are shown with reserve pump(s) on standby
 - 3- dB(A) is shown with one pump in reserve per NFPA99
 - 4- 3 Year Limited Warranty