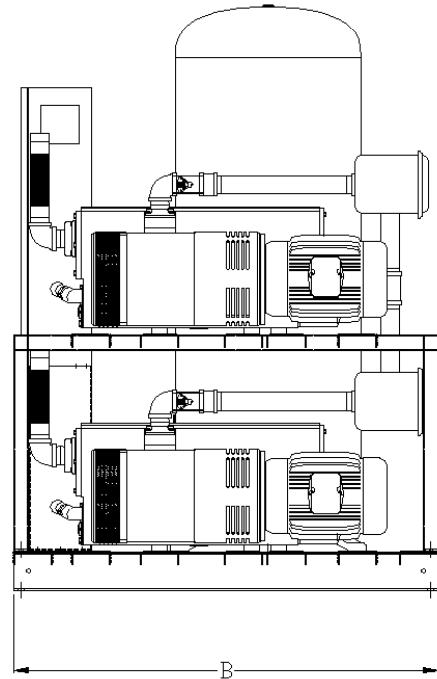
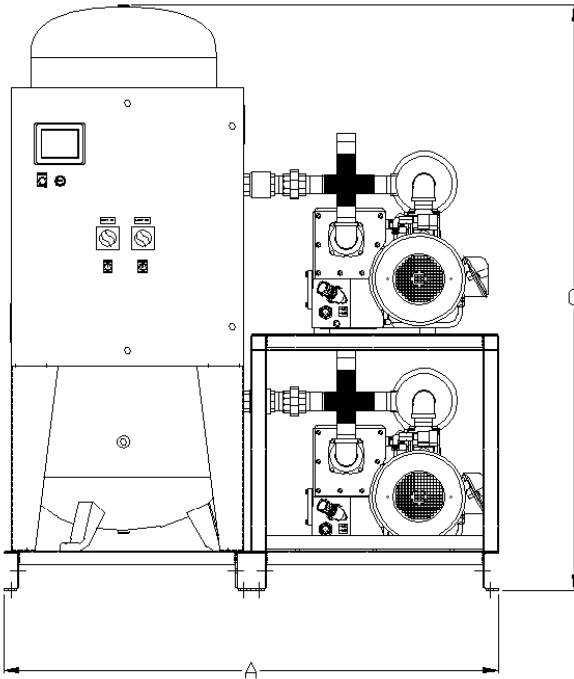
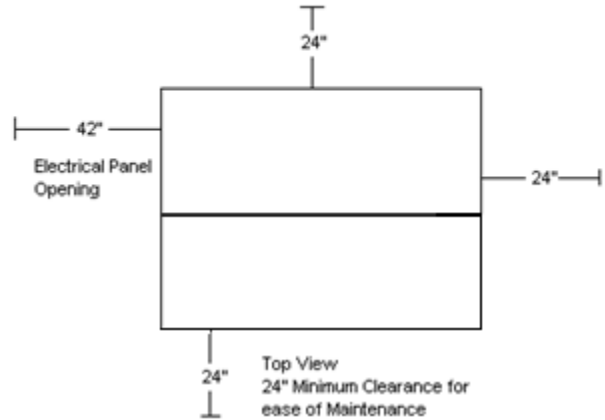




# Medical Vacuum Package 7.5-10 HP with HMI/PBMI

Rev. 03/22/13

DIMENSIONS					
MODEL	DIM. A	DIM. B	DIM. C	Inlet	Outlet x2
VPD0754	66"	55"	76"	2"	2"
VPD1004	66"	55"	76"	2"	2"



Medical Vacuum Package with HMI/PBMI										
MODEL	HP	SCFM @ 19" Hg	NFPA System Capacity <sup>1</sup>	TANK SIZE (Gal.)	BTU/HR <sup>2</sup>	dB(A) <sup>3</sup> LEVEL	SYSTEM F.L.A.			SYSTEM WEIGHT
							208V	230V	460V	
VPD0754	7.5	52	52	120V	19,088	79	44	42.8	22.4	2,000
VPD1004	10	77	77	120V	25,450	81	54.8	53.2	27.6	2,300

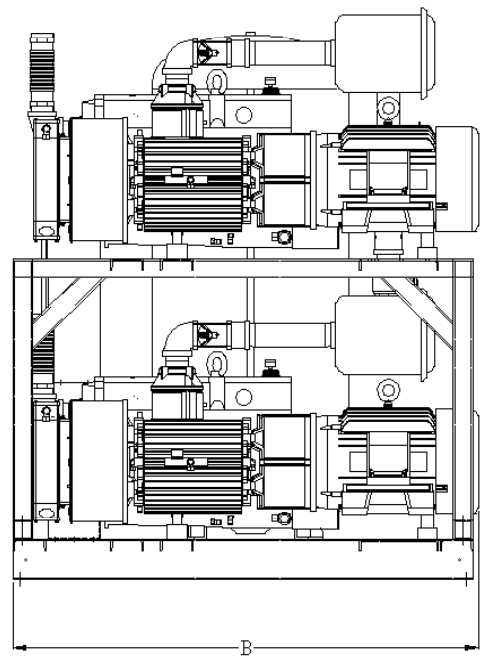
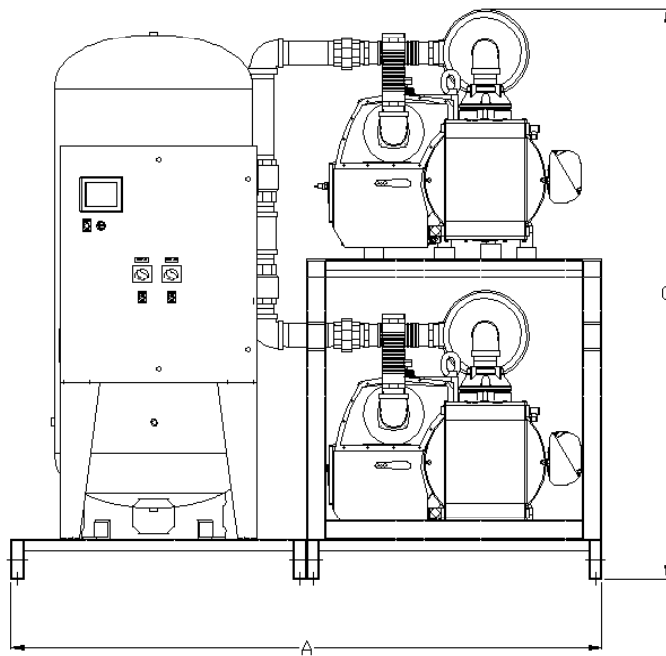
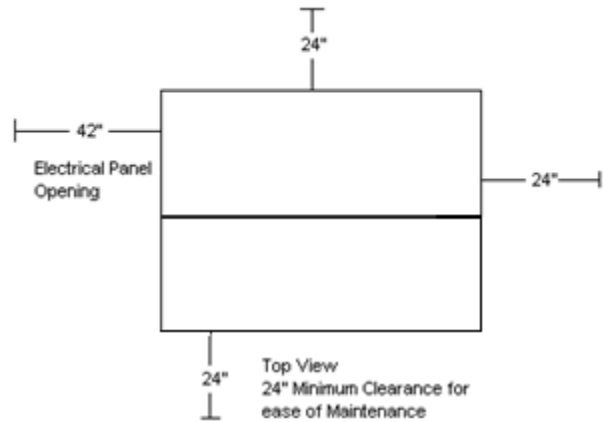
- Notes:
- 1 - System Capacity is shown with one or more pumps in reserve per NFPA 99
  - 2 - BTU/HR Levels are shown with reserve pump(s) on standby
  - 3 - dB(A) is shown with one pump in reserve per NFPA 99
  - 4 - 3 Year Limited Warranty



# Medical Vacuum Package 15-25 HP with HMI/PBMI

Rev. 7/25/12

DIMENSIONS					
MODEL	DIM. A	DIM. B	DIM. C	Inlet	Outlet
VPD1505	90"	70"	87"	3"	3"
VPD2005	90"	70"	87"	3"	3"
VPD2505	90"	71"	87"	3"	3"



Medical Vacuum Package with HMI/PBMI										
MODEL	HP	SCFM @ 19" Hg	NFPA System Capacity <sup>1</sup>	TANK SIZE	BTU/HR <sup>2</sup>	dB(A) <sup>3</sup> LEVEL	SYSTEM F.L.A.			SYSTEM WT. (LBS.)
							208V	230V	460V	
VPD1505	15	111	111	200	38,175	83	82.8	76.8	39.4	3,200
VPD2005	20	137	137	200	50,900	84	110	106	54	3,600
VPD2505	25	168	168	200	63,625	85	138	126	64	5,000

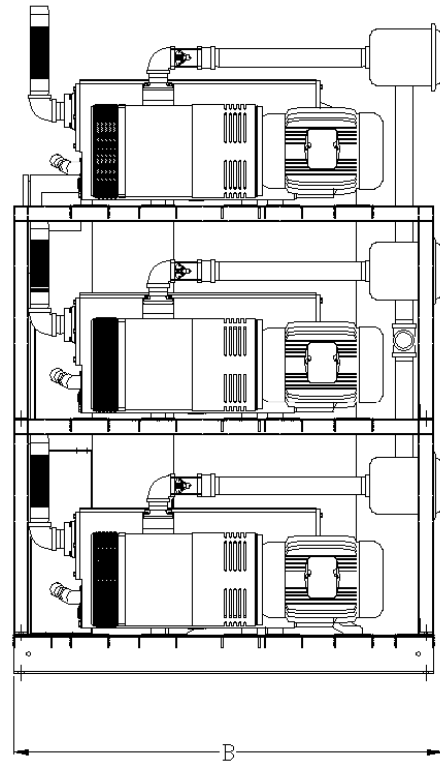
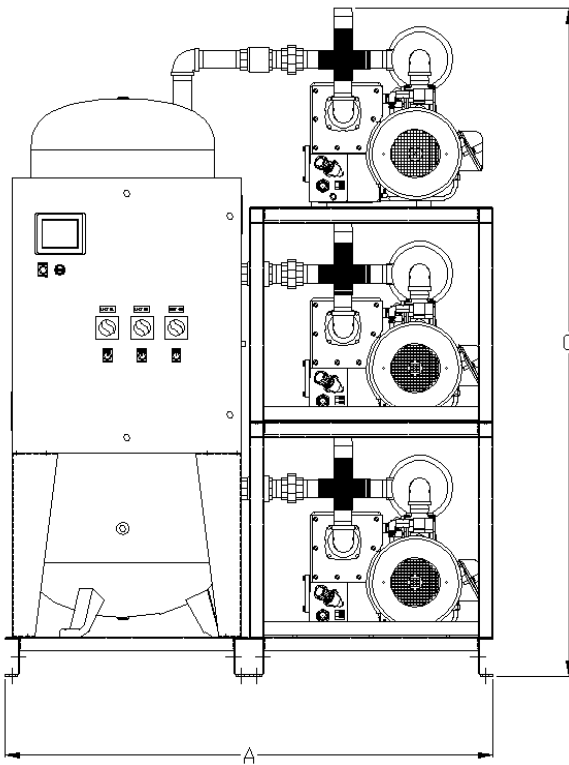
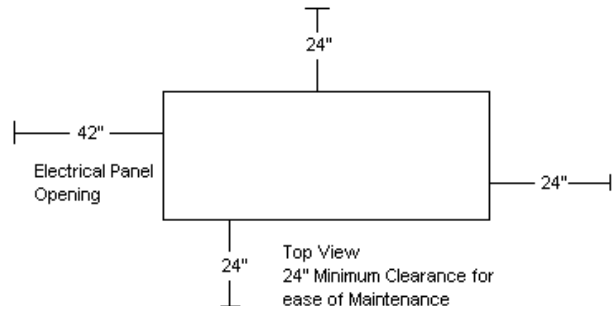
- Notes:
- 1 - System Capacity is shown with one or more pumps in reserve per NFPA 99
  - 2 - BTU/HR Levels are shown with reserve pump(s) on standby
  - 3 - dB(A) is shown with one pump in reserve per NFPA 99
  - 4 - 3 Year Limited Warranty



# Medical Vacuum Package with HMI/PBMI

Rev. 03/22/13

MODEL	DIM. A	DIM. B	DIM. C	Inlet	Outlet x3
VPT0504	66"	55"	88"	2"	2"
VPT0754	66"	56"	88"	3"	2"
VPT1004	66"	56"	88"	3"	2"



Medical Vacuum Package with HMI/PBMI										
MODEL	HP	SCFM @ 19" Hg Each	NFPA System Capacity <sup>1</sup>	TANK SIZE	BTU/HR <sup>2</sup>	dB(A) <sup>3</sup> LEVEL	SYSTEM F.L.A.			SYSTEM WT. (LBS.)
							208V	230V	460V	
VPT0504	5	37	74	120	25,450	81	45.8	41	21.5	1,800
VPT0754	7.5	52	104	120	38,175	82	65	63.2	32.6	2,450
VPT1004	10	77	154	120	50,900	84	81.2	78.8	40.4	2,750

- Notes:
- 1 - System Capacity is shown with one or more pumps in reserve per NFPA 99
  - 2 - BTU/HR Levels are shown with reserve pump(s) on standby
  - 3 - dB(A) is shown with one pump in reserve per NFPA 99
  - 4 - 3 Year Limited Warranty

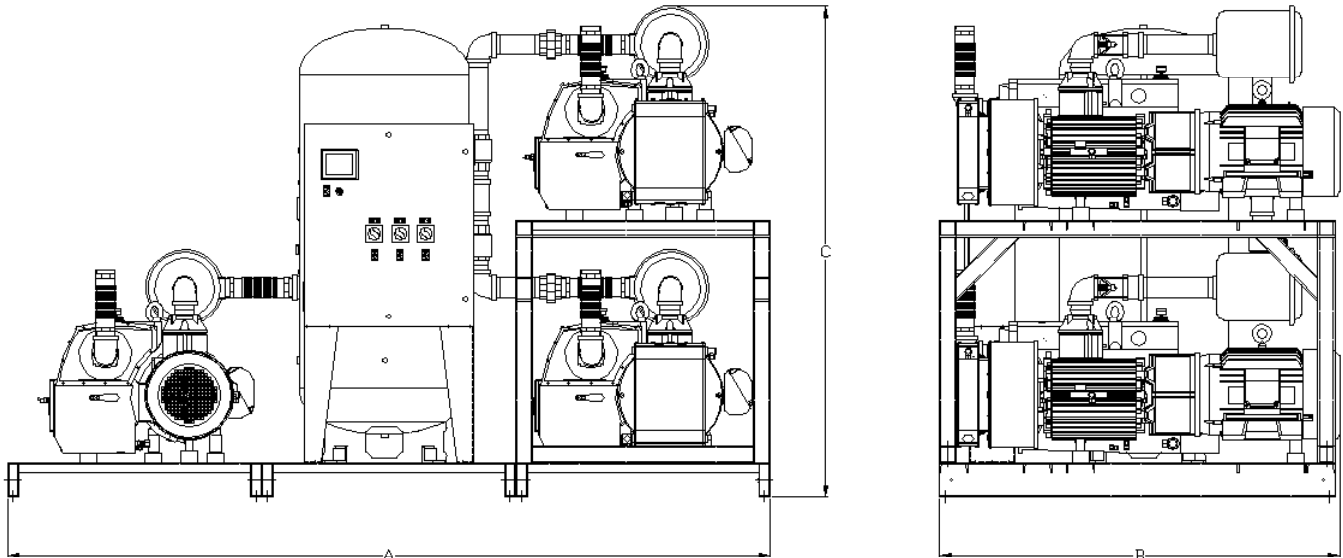
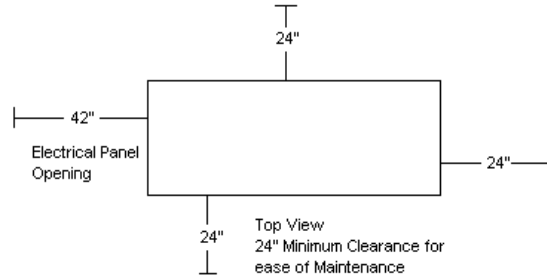


# Medical Vacuum Package

## 15-25HP with HMI/PBMI

Rev. 7/25/12

MODEL	DIM. A	DIM. B	DIM. C	Inlet	Outlet x3
VPT1505	135"	70"	87"	4"	3"
VPT2005	135"	70"	87"	4"	3"
VPT2505	135"	71"	87"	4"	3"



Medical Vacuum Package with HMI/PBMI										
MODEL	HP	SCFM @ 19" Hg Each	NFPA System Capacity <sup>1</sup>	TANK SIZE (Gal.)	BTU/HR <sup>2</sup>	dB(A) <sup>3</sup> LEVEL	SYSTEM F.L.A.			SYSTEM WT. (LBS.)
							208V	230V	460V	
VPT1505	15	111	222	240	76,350	86	123.2	114.2	58.1	5,800
VPT2005	20	137	274	240	101,800	87	164	158	80	6,300
VPT2505	25	168	336	240	127,250	88	206	188	95	6,950

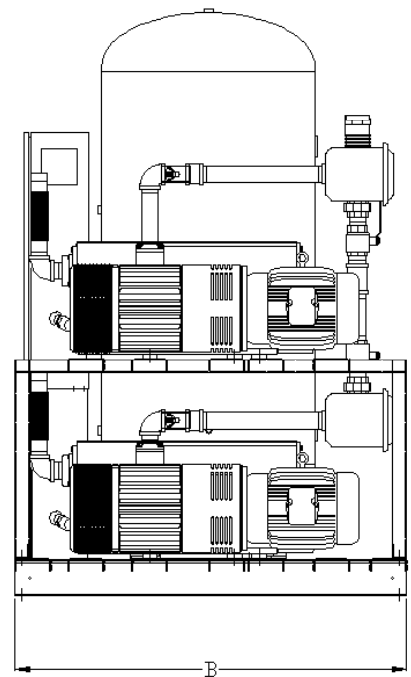
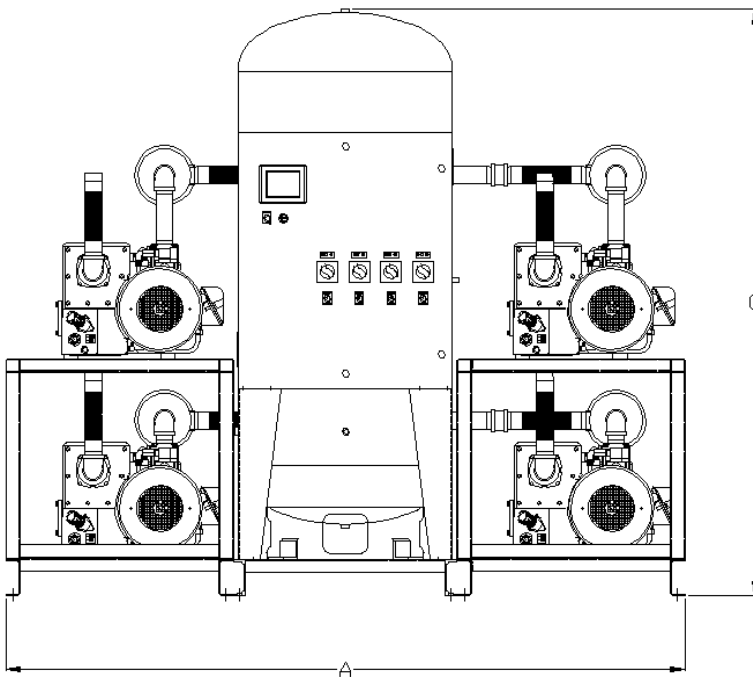
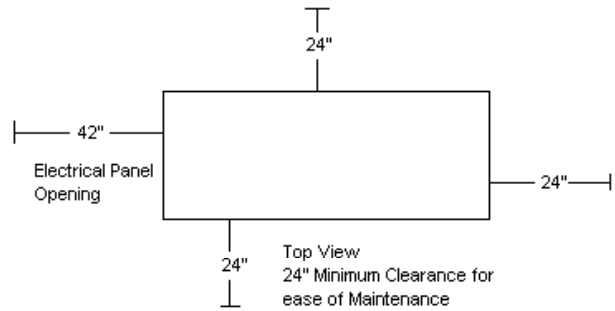
- Notes:
- 1 - System Capacity is shown with one or more pumps in reserve per NFPA 99
  - 2 - BTU/HR Levels are shown with reserve pump(s) on standby
  - 3 - dB(A) is shown with one pump in reserve per NFPA 99
  - 4 - 3 Year Limited Warranty



# Medical Vacuum Tankmount Quadplex System with HMI/PBMI

Rev. 03/22/13

DIMENSIONS					
MODEL	DIM. A	DIM. B	DIM. C	Inlet	Outlet x4
VPQ0505	98"	55"	83"	3"	2"
VPQ0755	98"	55"	83"	3"	2"
VPQ1005	98"	55"	83"	3"	2"



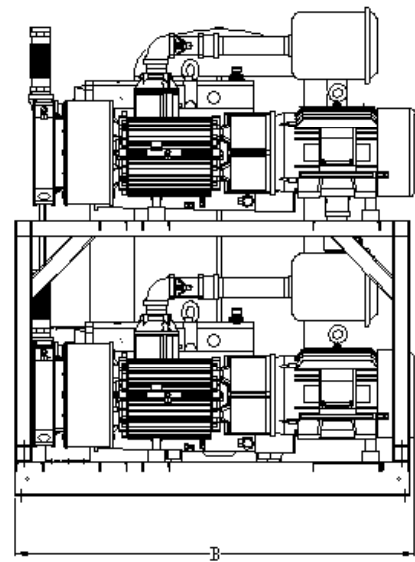
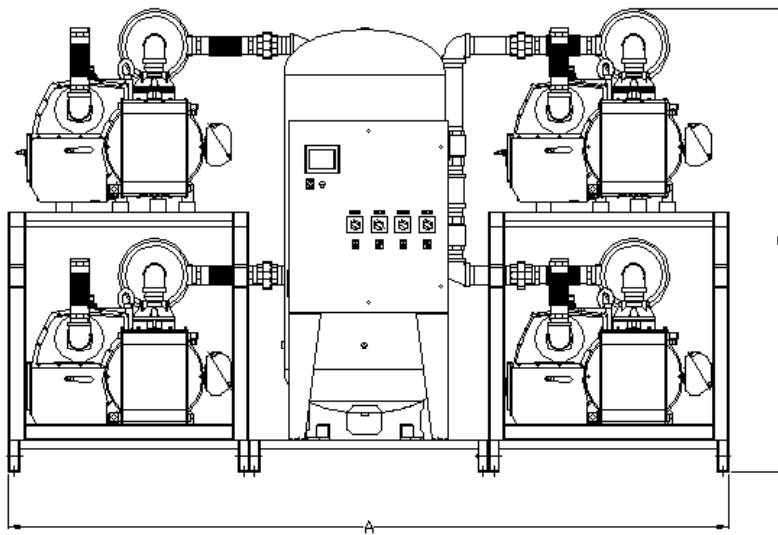
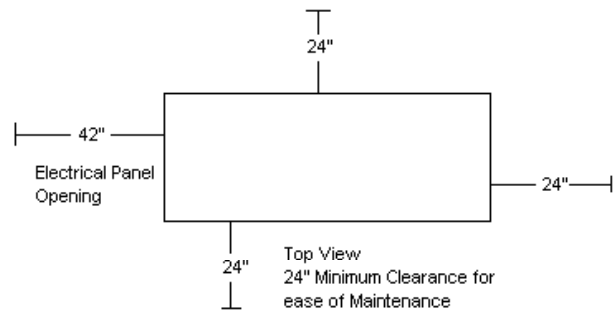
Medical Vacuum Package with HMI/PBMI										
MODEL	HP	SCFM @ 19" Hg Each	NFPA System Capacity <sup>1</sup>	TANK SIZE (Gal.)	BTU/HR <sup>2</sup>	dB(A) <sup>3</sup> LEVEL	SYSTEM F.L.A.			SYSTEM WT. (LBS.)
							208V	230V	460V	
VPQ0505	5 (4)	37	111	200	38,175	83	60.4	54	28	2,500
VPQ0755	7.5 (4)	52	156	200	57,263	84	86	83.6	42.8	3,000
VPQ1005	10 (4)	77	231	200	76,350	86	107.6	104.4	53.2	3,600

- Notes:
- 1 - System Capacity is shown with one or more pumps in reserve per NFPA 99
  - 2 - BTU/HR Levels are shown with reserve pump(s) on standby
  - 3 - dB(A) is shown with one pump in reserve per NFPA 99
  - 4 - 3 Year Limited Warranty

# Medical Vacuum Tankmount Quadplex System with HMI/PBMI

DIMENSIONS					
MODEL	DIM. A	DIM. B	DIM. C	Inlet	Outlet x4
VPQ1505	135"	70"	90"	4"	3"
VPQ2005	135"	70"	90"	4"	3"
VPQ2505	135"	70"	90"	4"	3"

Rev. 7/25/12



Medical Vacuum Package with HMI/PBMI										
MODEL	HP	SCFM @ 19" Hg Each	NFPA System Capacity <sup>1</sup>	TANK SIZE (Gal.)	BTU/HR <sup>2</sup>	dB(A) <sup>3</sup> LEVEL	SYSTEM F.L.A.			SYSTEM WT. (LBS.)
							208V	230V	460V	
VPQ1505	15 (4)	111	333	200	114,525	88	163.6	151.6	76.8	7,000
VPQ2005	20 (4)	137	411	200	152,700	89	218	210	106	7,700
VPQ2505	25 (4)	168	504	200	190,875	90	274	250	126	8,600

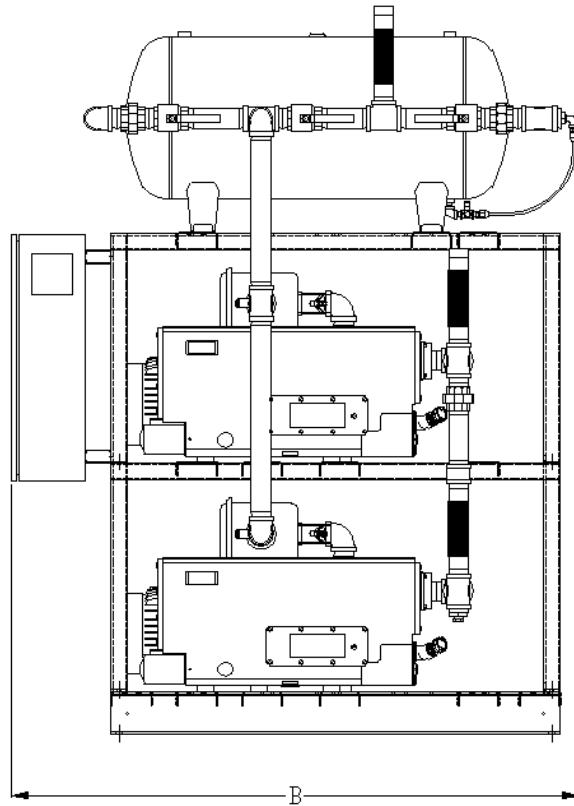
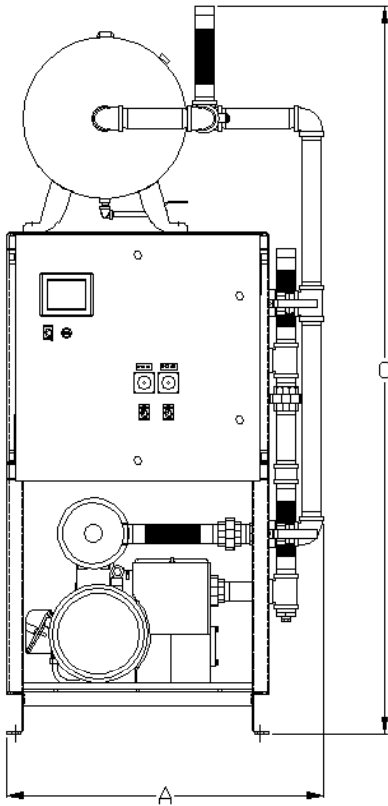
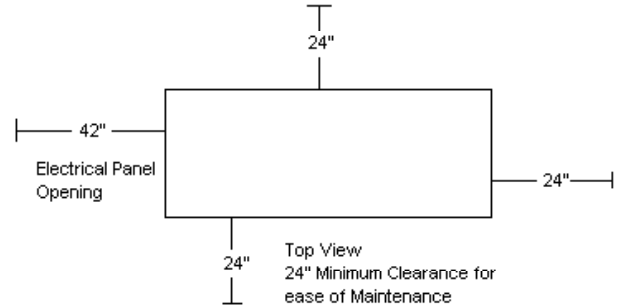
- Notes:
- 1 - System Capacity is shown with one or more pumps in reserve per NFPA 99
  - 2 - BTU/HR Levels are shown with reserve pump(s) on standby
  - 3 - dB(A) is shown with one pump in reserve per NFPA 99
  - 4 - 3 Year Limited Warranty



# Medical Vacuum Tankmount 5HP-7.5HP with HMI/PBMI

Rev. 09/19/12

MODEL	DIM. A	DIM. B	DIM. C	Inlet	Outlet
VPDT0402	40"	70"	89"	1-1/2"	1-1/2"
VPDT0502	39"	70"	89"	2"	2"
VPDT0752	39"	70"	89"	2"	2"



Medical Vacuum Tankmount - with HMI/PBMI											
MODEL	HP	SCFM @ 19" Hg	NFPA System Capacity <sup>1</sup>	TANK SIZE (Gal.)	BTU/HR <sup>2</sup>	dB(A) <sup>3</sup> LEVEL	SYSTEM F.L.A.			SYSTEM WT. (LBS.)	
							208V	230V	460V		
VPDT0402	5	26	26	60	12,725	71	29.6	28	15	1,590	
VPDT0502	5	37	37	60	12,725	71	31.2	28	15	1,815	
VPDT0752	7.5	52	52	60	19,088	79	44	42.8	22.4	2,295	

- Notes:
- 1- System Capacity is shown with one or more pumps in reserve per NFPA 99
  - 2- BTU/HR Levels are shown with reserve pump(s) on standby
  - 3- dB(A) is shown with one pump in reserve per NFPA99
  - 4- 3 Year Limited Warranty