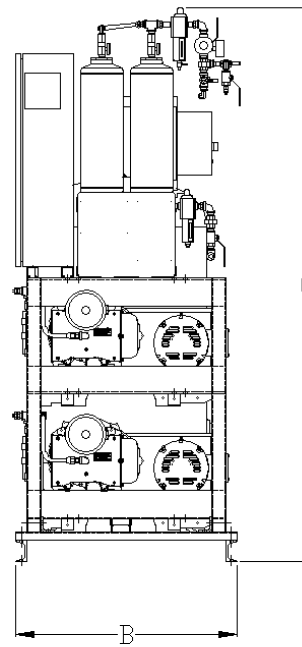
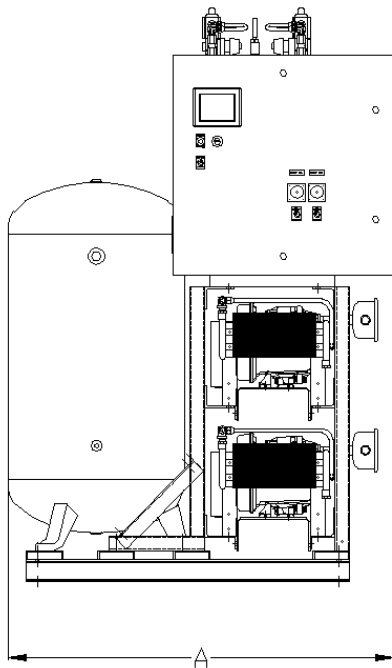
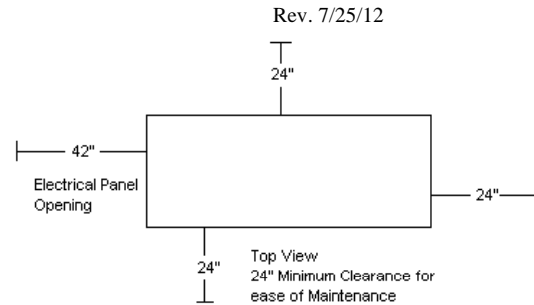




Medical Scroll Skid Mount Package Duplex with HMI/PBMI

DIMENSIONS					
MODEL	DIM. A	DIM. B	DIM. C	Inlet	Outlet
MSD0203	53"	32"	78"	3/4"	1/2"
MSD0303	53"	32"	78"	3/4"	1/2"
MSD0503	53"	32"	78"	3/4"	1/2"



Medical Scroll Skid Mount Package - Duplex with HMI/PBMI										
MODEL	HP	ICFM @ 50 PSIG ^(1,6)	SCFM @ 50 PSIG ^(1,3)	TANK SIZE (Gal.)	BTU/HR ²	dB(A) ⁴ LEVEL	SYSTEM F.L.A.			SYSTEM WT. (LBS)
							208V	230V	460V	
MSD0203	2 (2)	6.8	6.0	80	5,090	72	13.9	13.6	7.8	1,600
MSD0303	3 (2)	10.8	9.5	80	7,635	72	20	18.2	10.1	1,650
MSD0503	5 (2)	18.4	16.6	80	12,725	72	30.4	27.6	14.8	1,700

- Notes:
- 1- ICFM and SCFM values @ 50 PSIG are shown with one compressor in reserve per NFPA 99
 - 2 - BTU/HR Levels are shown with reserve compressor(s) on standby
 - 3 - Powerex recommends using performance ratings in SCFM (Standard Cubic Feet per Minute) when sizing medical air systems.
 - 4 - dB(A) is shown with one compressor in reserve per NFPA 99
 - 5 - 3 Year Limited Warranty
 - 6 - ICFM as standardly defined within the Medical Air Compressor Industry

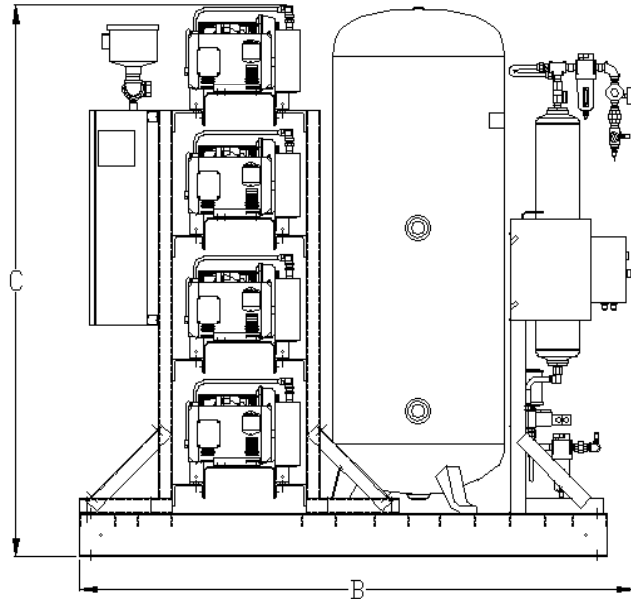
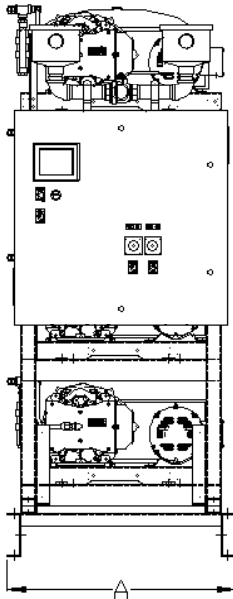
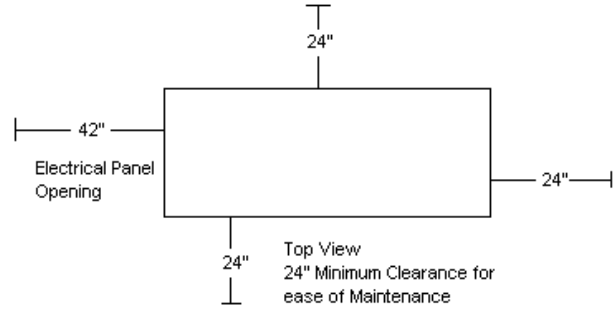


Medical Scroll Skid Mounted Packages

Duplex with HMI/PBMI

Rev. 7/25/12

DIMENSIONS					
MODEL	DIM. A	DIM. B	DIM. C	Inlet	Outlet
MSD1004	35"	78"	77"	1-1/2"	3/4"



Medical Scroll Skid Mount Package - Duplex with HMI/PBMI										
MODEL	HP	ICFM @ 50 PSIG ^(1,6)	SCFM @ 50 PSIG ^(1,3)	TANK SIZE (Gal.)	BTU/HR ²	dB(A) ⁴ LEVEL	SYSTEM F.L.A.			SYSTEM WT. (LBS)
							208V	230V	460V	
MSD1004	10 (2)	36.8	33.2	120	25,450	75	58.8	53.2	27.6	2,450

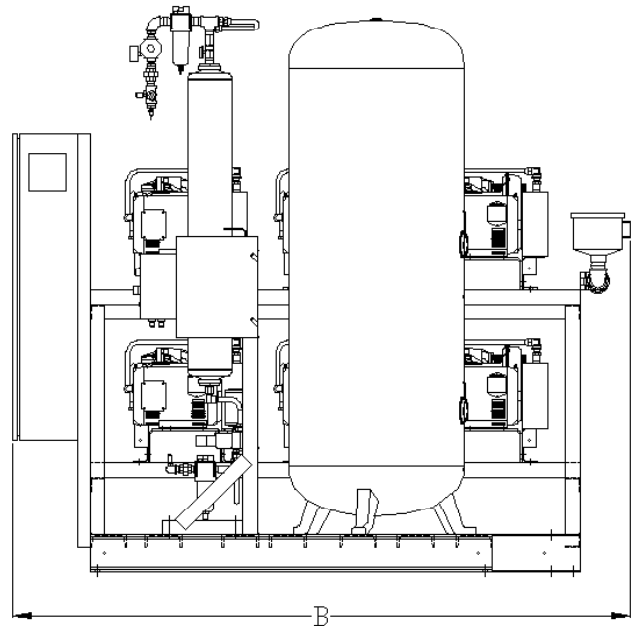
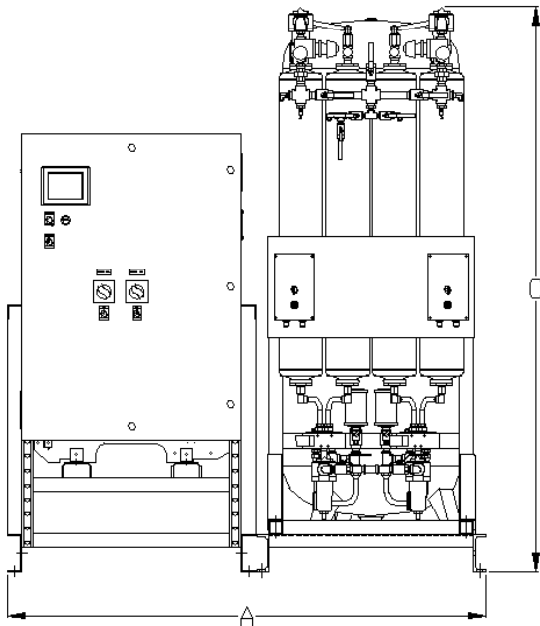
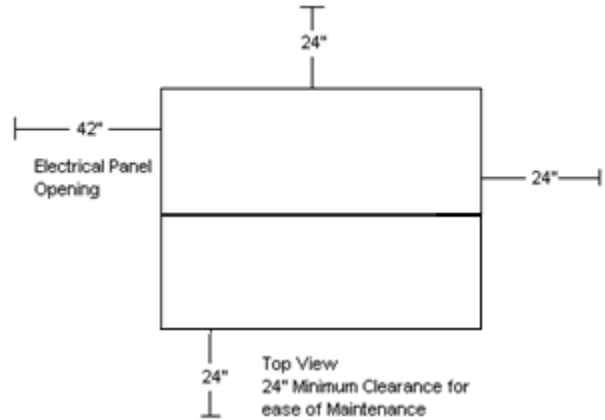
- Notes:
- 1- ICFM and SCFM values @ 50 PSIG are shown with one compressor in reserve per NFPA 99
 - 2 - BTU/HR Levels are shown with reserve compressor(s) on standby
 - 3 - Powerex recommends using performance ratings in SCFM (Standard Cubic Feet per Minute) when sizing medical air systems.
 - 4 - dB(A) is shown with one compressor in reserve per NFPA99
 - 5 - 3 Year Limited Warranty
 - 6 - ICFM as standardly defined within the Medical Air Compressor Industry



Medical Scroll Skid Mount Package Duplex with HMI/PBMI

Rev. 7/25/12

DIMENSIONS					
MODEL	DIM. A	DIM. B	DIM. C	Inlet	Outlet
MSD1504	66"	85"	78"	1-1/2"	3/4"



Medical Scroll Skid Mount Package - Duplex with HMI/PBMI										
MODEL	HP	ICFM @ 50 PSIG ^(1,6)	SCFM @ 50 PSIG ^(1,3)	TANK SIZE (Gal.)	BTU/HR ²	dB(A) ⁴ LEVEL	SYSTEM F.L.A.			SYSTEM WT. (LBS.)
							208V	230V	460V	
MSD1504	15 (2)	55.2	49.8	120	38,175	77	87.2	78.8	40.5	2,800

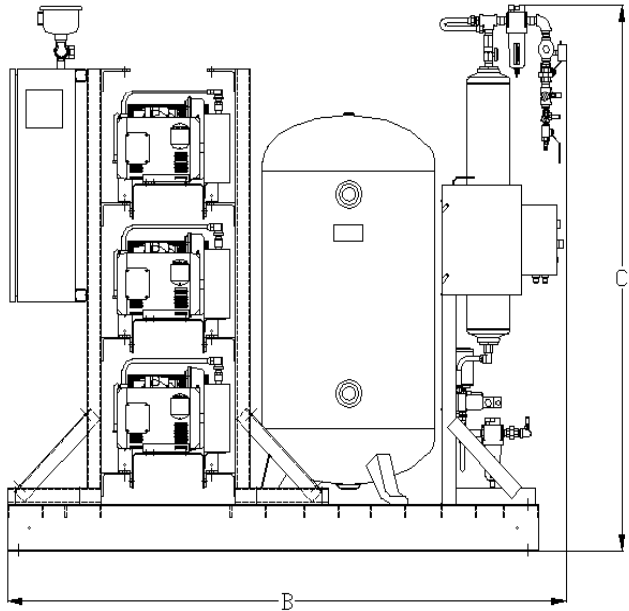
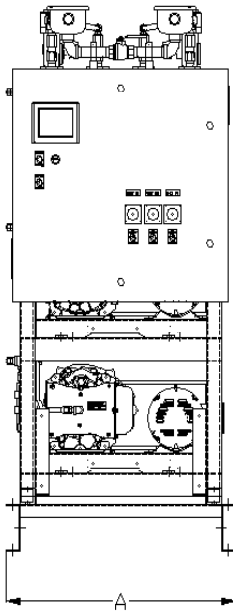
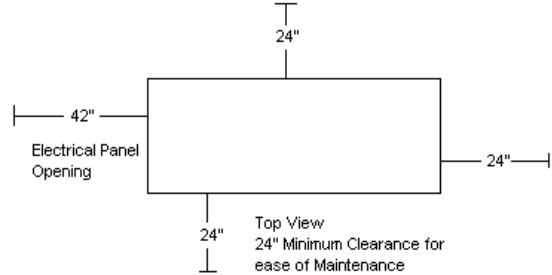
- Notes:
- 1- ICFm and SCFm values @ 50 PSIG are shown with one compressor in reserve per NFPA 99
 - 2 - BTU/HR Levels are shown with reserve compressor(s) on standby
 - 3 - Powerex recommends using performance ratings in SCFM (Standard Cubic Feet per Minute) when sizing medical air systems.
 - 4 - dB(A) is shown with one compressor in reserve per NFPA99
 - 5 - 3 Year Limited Warranty
 - 6 - ICFM as standardly defined within the Medical Air Compressor Industry



Medical Scroll Skid Mounted Packages Triplex with HMI/PBMI

Rev. 7/25/12

DIMENSIONS					
MODEL	DIM. A	DIM. B	DIM. C	Inlet	Outlet
MST0503	32"	78"	71"	1"	3/4"



Medical Scroll Skid Mount Package - Triplex with HMI/PBMI										
MODEL	HP	ICFM @ 50 PSIG ^(1,6)	SCFM @ 50 PSIG ^(1,3)	TANK SIZE (Gal.)	BTU/HR ²	dB(A) ⁴ LEVEL	SYSTEM F.L.A.			SYSTEM WT. (LBS.)
							208V	230V	460V	
MST0503	5 (3)	36.8	33.2	80	25,450	75	44.6	40.4	21.2	1,900

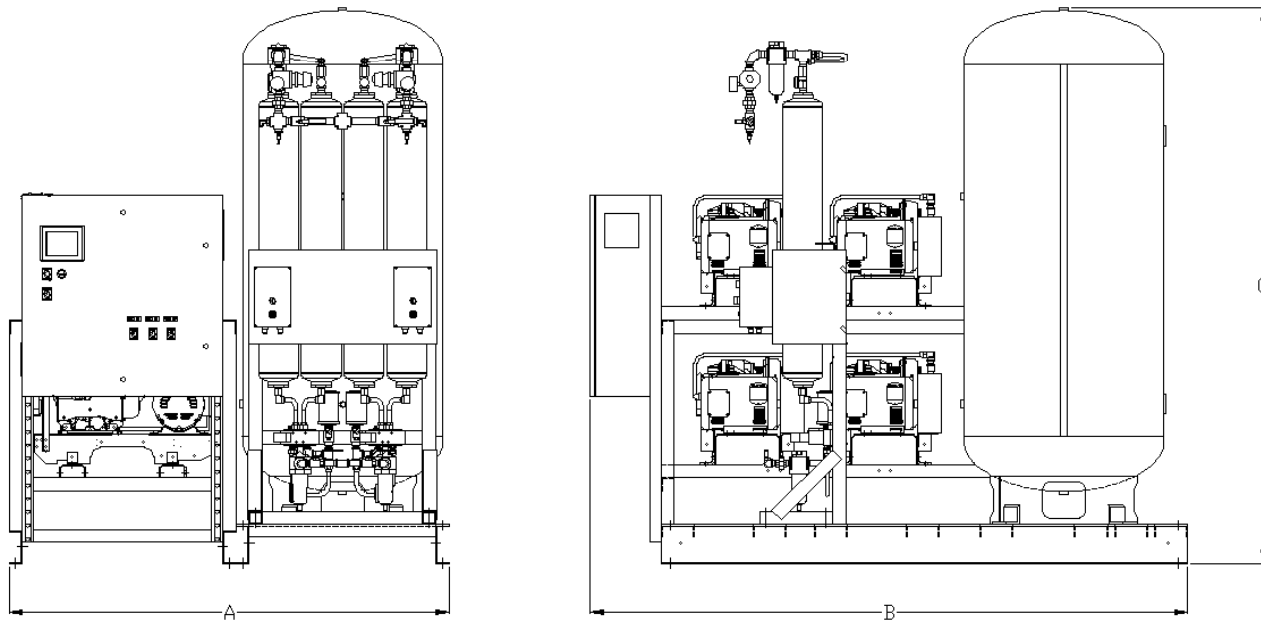
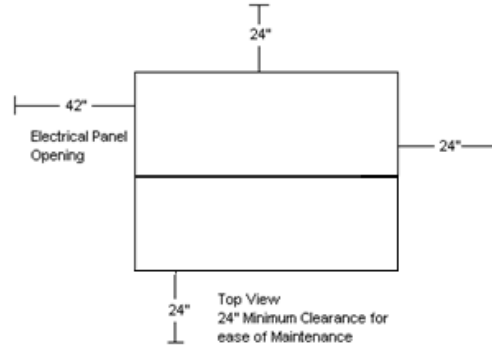
- Notes:
- 1- ICFM and SCFM @ 50 PSIG are shown with one compressor in reserve per NFPA 99
 - 2- BTU/HR Levels are shown with reserve compressor(s) on standby
 - 3- Powerex recommends using performance ratings in SCFM (Standard Cubic Feet per Minute) when sizing medical air systems.
 - 4- dB(A) is shown with one compressor in reserve per NFPA99
 - 5- 3 Year Limited Warranty
 - 6- ICFM as standardly defined within the Medical Air Compressor Industry



Medical Scroll Skid Mounted Packages Triplex with HMI/PBMI

Rev. 7/25/12

DIMENSIONS					
MODEL	DIM. A	DIM. B	DIM. C	Inlet	Outlet
MST1005	66"	90"	84"	1-1/2"	1"
MST1505	66"	90"	84"	2"	1-1/2"



Medical Scroll Skid Mount Package - Triplex with HMI/PBMI										
MODEL	HP	ICFM @ 50 PSIG ^(1,6)	SCFM @ 50 PSIG ^(1,3)	TANK SIZE (Gal.)	BTU/HR ²	dB(A) ⁴ LEVEL	SYSTEM F.L.A.			SYSTEM WT. (LBS)
							208V	230V	460V	
MST1005	10 (3)	73.6	66.4	200	50,900	78	87.2	78.8	40.5	3,200
MST1505	15 (3)	110.4	99.6	200	76,350	80	129.8	117.2	59.7	4,300

- Notes:
- 1- ICFM and SCFM @ 50 PSIG are shown with one compressor in reserve per NFPA 99
 - 2 - BTU/HR Levels are shown with reserve compressor(s) on standby
 - 3 - Powerex recommends using performance ratings in SCFM (Standard Cubic Feet per Minute) when sizing medical air systems.
 - 4 - dB(A) is shown with one compressor in reserve per NFPA 99
 - 5 - 3 Year Limited Warranty
 - 6 - ICFM as standardly defined within the Medical Air Compressor Industry

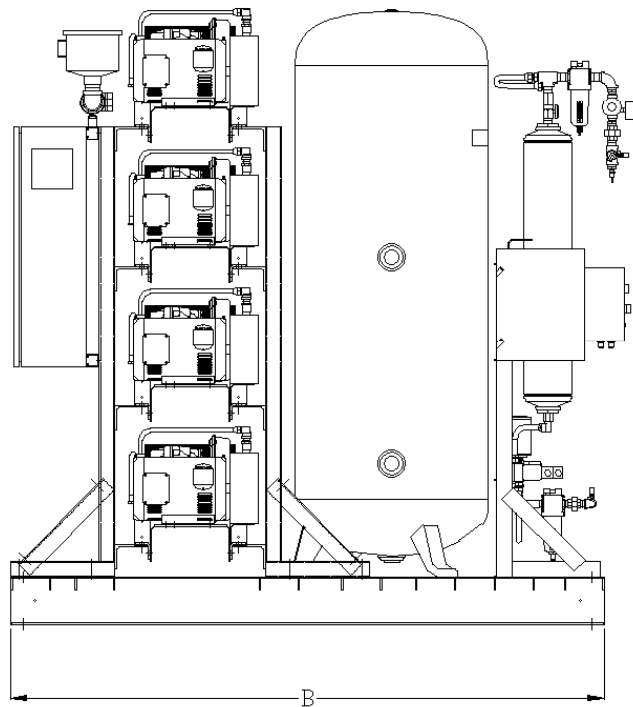
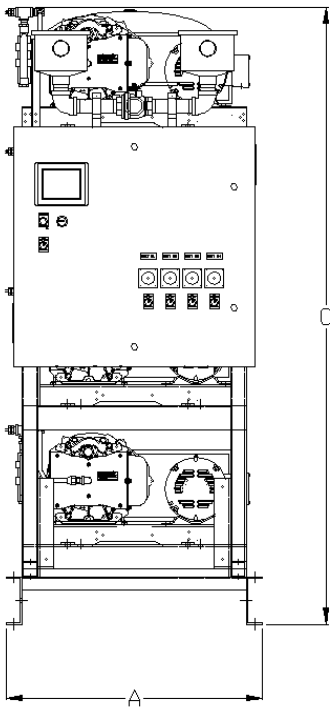
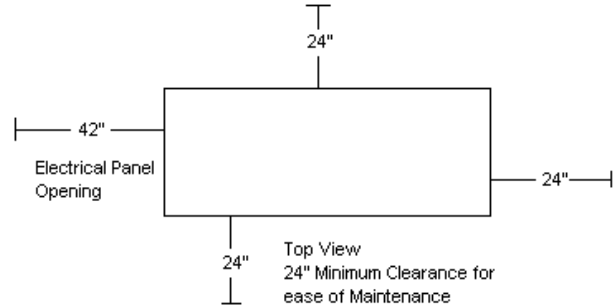


Medical Scroll Skid Mounted Packages

Quadplex with HMI/PBMI

Rev. 7/27/12

DIMENSIONS					
MODEL	DIM. A	DIM. B	DIM. C	Inlet	Outlet
MSQ0504	32"	78"	78"	1-1/2"	3/4"



Medical Scroll Skid Mount Package - Quadplex with HMI/PBMI										
MODEL	HP	ICFM @ 50 PSIG ^(1,6)	SCFM @ 50 PSIG ^(1,3)	TANK SIZE (Gal.)	BTU/HR ²	dB(A) ⁴ LEVEL	SYSTEM F.L.A.			SYSTEM WT. (LBS.)
							208V	230V	460V	
MSQ0504	5 (4)	55.2	49.8	120	38,175	77	58.8	53.2	27.6	2,000

- Notes:
- 1- ICFM and SCFM @ 50 PSIG are shown with one compressor in reserve per NFPA 99
 - 2 - BTU/HR Levels are shown with reserve compressor(s) on standby
 - 3 - Powerex recommends using performance ratings in SCFM (Standard Cubic Feet per Minute) when sizing medical air systems
 - 4 - dB(A) is shown with one compressor in reserve per NFPA99
 - 5 - 3 Year Limited Warranty
 - 6 - ICFM as standardly defined within the Medical Air Compressor Industry



Medical Scroll Skid Mounted Packages Quadplex with HMI/PBMI

Rev. 7/27/12

DIMENSIONS						
MODEL	DIM. A	DIM. B	DIM. C	Inlet	Outlet	Figure
MSQ1005	107"	66"	84"	2"	1-1/2"	1
MSQ1505	108"	66"	84"	2"	1-1/2"	2

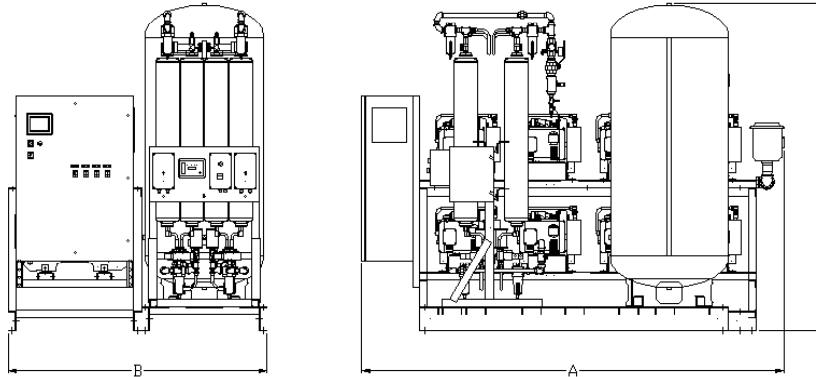
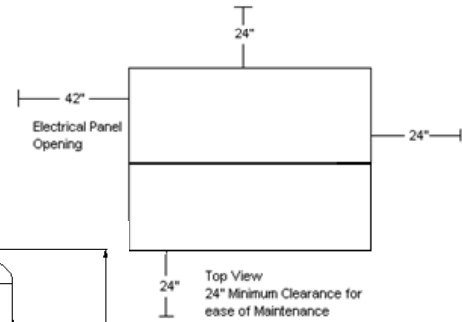


FIGURE 1

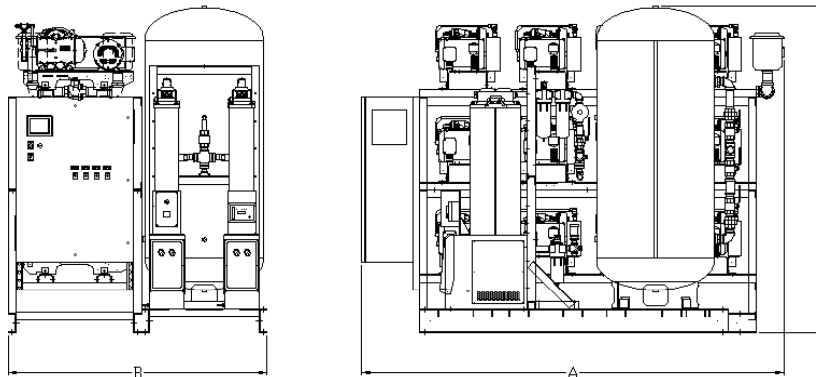


FIGURE 2

Medical Scroll Skid Mount Package - Quadplex with HMI/PBMI										
MODEL	HP	ICFM @ 50 PSIG ^(1,6)	SCFM @ 50 PSIG ^(1,3)	TANK SIZE (Gal.)	BTU/HR ²	dB(A) ⁴ LEVEL	SYSTEM F.L.A.			SYSTEM WT. (LBS.)
							208V	230V	460V	
MSQ1005	10 (4)	110.4	99.6	200	76,350	80	115.6	104.4	53.3	3,800
MSQ1505	15 (4)	165.6	149.4	200	114,525	82	172.4	155.6	78.9	4,600

- Notes:
- 1- ICFM and SCFM @ 50 PSIG are shown with one compressor in reserve per NFPA 99
 - 2- BTU/HR Levels are shown with reserve compressor(s) on standby
 - 3- Powerex recommends using performance ratings in SCFM (Standard Cubic Feet per Minute) when sizing medical air systems.
 - 4- dB(A) is shown with one compressor in reserve per NFPA99
 - 5- 3 Year Limited Warranty
 - 6- ICFM as standardly defined within the Medical Air Compressor Industry

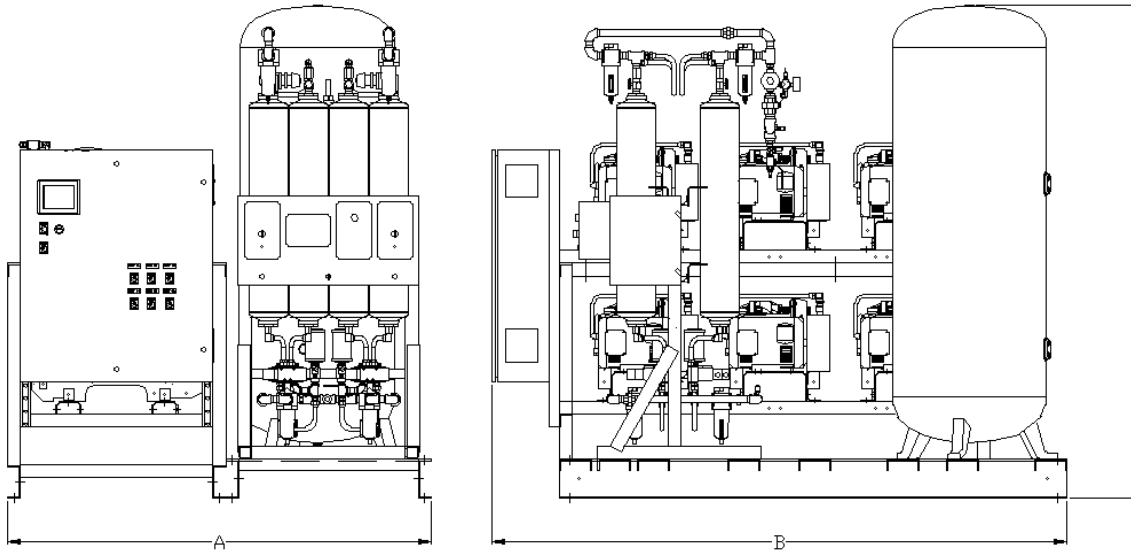
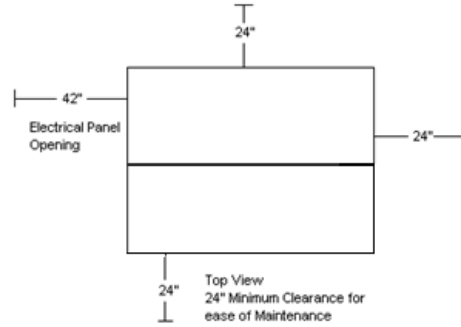


Medical Scroll Skid Mounted Packages

Multiplex with HMI/PBMI controls

Rev. 3/26/13

DIMENSIONS					
MODEL	DIM. A	DIM. B	DIM. C	Inlet	Outlet
MSH0504	66"	90"	77"	1-1/2"	1-1/2"
MSN0505	66"	90"	84"	2"	1-1/2"



Medical Scroll Skid Mount Package - Multiplex										
MODEL	HP	ICFM @ 50 PSIG ^(1,6)	SCFM @ 50 PSIG ^(1,3)	TANK SIZE	BTU/HR ²	dB(A) ⁴ LEVEL	SYSTEM F.L.A.			SYSTEM WEIGHT
							208V	230V	460V	
MSH0504	5 (6)	92	83	120 gal.	63,625	79	87.2	78.8	40.5	3,550
MSN0505	5 (9)	147.2	132.8	200 gal.	101,880	81	129.8	117.2	59.7	4,800

- Notes:
- 1- ICFM and SCFM values @ 50 PSIG are show with one compressor in reserve per NFPA 99
 - 2 - BTU/HR Levels are shown with reserve compressor(s) on standby
 - 3 - Powerex recommends using performance ratings in SCFM (Standard Cubic Feet per Minute) when sizing medical air systems.
 - 4 - dB(A) is shown with one compressor in reserve per NFPA99
 - 5 - 3 Year Limited Warranty
 - 6 - ICFM as standardly defined within the Medical Air Compressor Industry

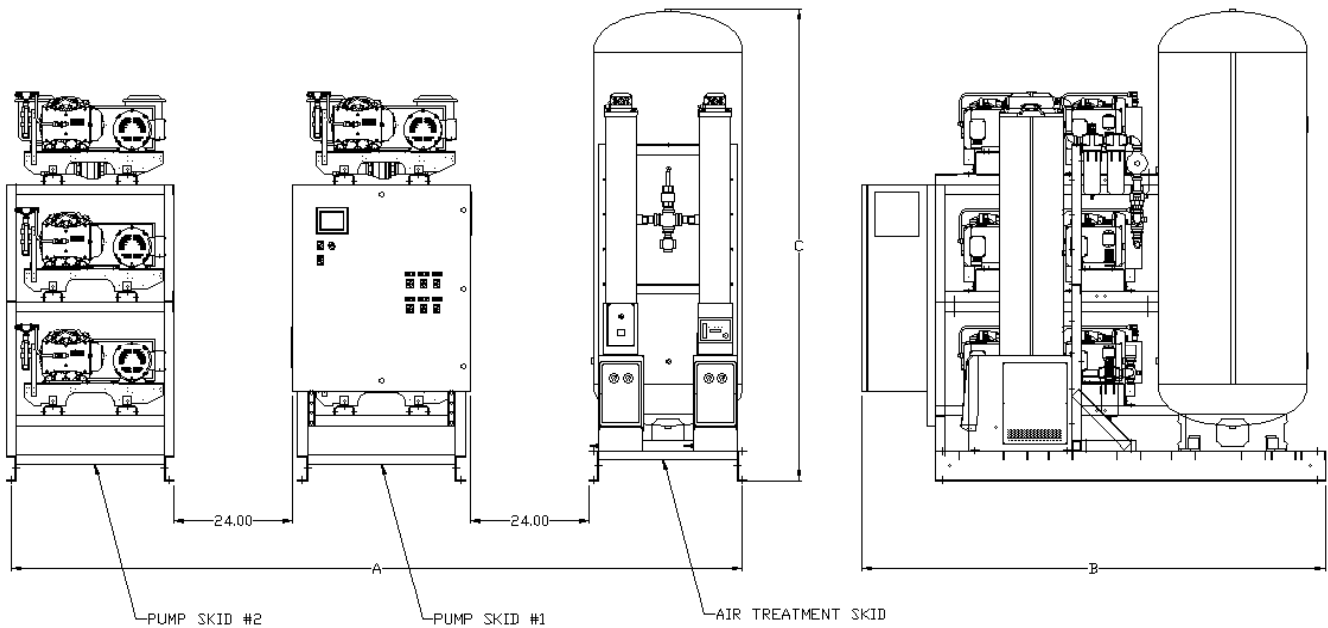
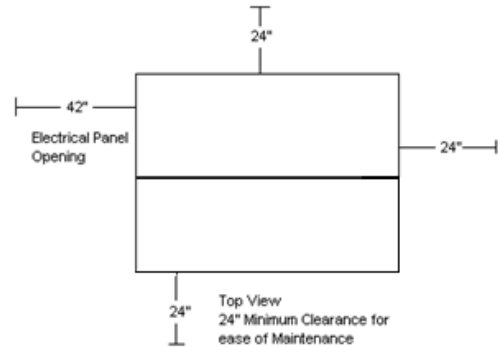


Medical Scroll Skid Mounted Packages

Multiplex

Rev. 7/27/12

DIMENSIONS						
MODEL	DIM. A	DIM. B	DIM. C	Pump Skid #1 Inlet (x2)	Pump Skid #2 Inlet (x2)	Outlet
MSH1506	150"	94"	96"	2"	2"	2"



Medical Scroll Skid Mount Package - Multiplex										
MODEL	HP	ICFM @ 50 PSIG ^(1,6)	SCFM @ 50 PSIG ^(1,3)	TANK SIZE (Gal.)	BTU/HR ²	dB(A) ⁴ LEVEL	SYSTEM F.L.A.			SYSTEM WEIGHT
							208V	230V	460V	
MSH1506	15 (6)	276.0	249.0	240	190,875	84	257.6	232.4	117.4	6,020

- Notes:
- 1- ICFM and SCFM values @ 50 PSIG are shown with one compressor in reserve per NFPA 99
 - 2- BTU/HR Levels are shown with reserve compressor(s) on standby
 - 3- Powerex recommends using performance ratings in SCFM (Standard Cubic Feet per Minute) when sizing medical air systems.
 - 4- dB(A) is shown with one compressor in reserve per NFPA 99
 - 5- 3 Year Limited Warranty
 - 6- ICFM as standardly defined within the Medical Air Compressor Industry

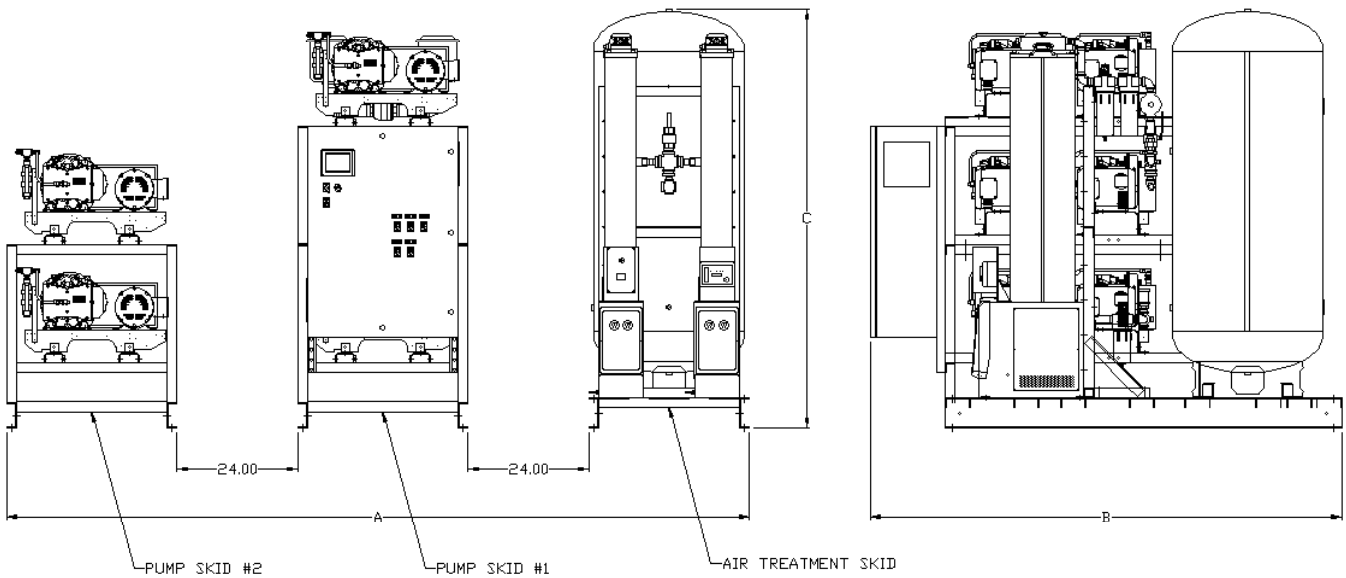
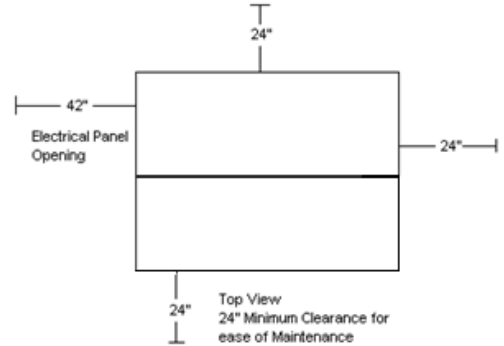


Medical Scroll Skid Mounted Packages

Multiplex

Rev. 7/27/12

DIMENSIONS						
MODEL	DIM. A	DIM. B	DIM. C	Pump Skid #1 Inlet (x2)	Pump Skid #2 Inlet (x2)	Outlet
MSP1505	148"	90"	84"	2"	1-1/2"	2"



Medical Scroll Skid Mount Package - Multiplex										
MODEL	HP	ICFM @ 50 PSIG ^(1,6)	SCFM @ 50 PSIG ^(1,3)	TANK SIZE (Gal.)	BTU/HR ²	dB(A) ⁴ LEVEL	SYSTEM F.L.A.			SYSTEM WEIGHT
							208V	230V	460V	
MSP1505	15 (5)	220.8	199.2	200	152,700	83	215	194	98.2	5,050

- Notes:
- 1- ICFM and SCFM values @ 50 PSIG are shown with one compressor in reserve per NFPA 99
 - 2- BTU/HR Levels are shown with reserve compressor(s) on standby
 - 3- Powerex recommends using performance ratings in SCFM (Standard Cubic Feet per Minute) when sizing medical air systems.
 - 4- dB(A) is shown with one compressor in reserve per NFPA 99
 - 5- 3 Year Limited Warranty
 - 6- ICFM as standardly defined within the Medical Air Compressor Industry